

Dōni™ Seating Collection Price List ■

June 01, 2016

Updated February 1, 2017

800-424-2432



Ordering C.O.M., C.O.L., and C.O.V. BONDUEL, GREEN BAY, ONTARIO, and TUPELO	2
Custom Color Matching Requirements	4
Doni Options User Guide	6
Doni™	
Guest Chair General Information	8
Guest Chairs	10
Stack Chair General Information	18
Stack Chairs	22
Cafe Stools	42
Task Chair General Information	48
Task Chairs	50
Task Stools	54
Tandem Seating General Information	58
Tandem Seating	60

Ordering C.O.M., C.O.L., and C.O.V.

BONDUEL, GREEN BAY, ONTARIO, and TUPELO

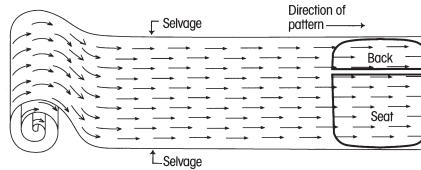
How to Specify C.O.M. Upholstery

Textile designs often have intricate patterns. Not all individuals will interpret fabric direction in the same manner.

As a standard procedure, KI cuts fabrics off the roll in a horizontal fashion as shown in Diagram A at the right. By cutting in this fashion, most waste is eliminated. Our requirements for yardage in this book are based on this type of cutting. When directional or patterned fabrics are used, they often require more yardage than solid colors.

By providing KI with a completely filled-out copy of the form on this page, we will be able to expedite your order. We find it particularly helpful with directional or patterned upholstery material. It is critical that copies of this form accompany test quantities as well as production quantities of C.O.M.

C.O.M. must be supplied in continuous yardage.



C.O.M., C.O.L. and C.O.V. Testing

KI will require for testing actual yardage to upholster one chair. The testing requirements depend on which chair you have selected on your order.

Test samples will be applied to the order and will be held for 6 months if needed. After 6 months, the sample can no longer be applied to your order. For all products to be tested, send test samples for approval to:

KI
Attn: C.O.M. Specialist
1687 Westminster Drive, Gate 3
Green Bay WI 54302

To expedite the procedure, attach a copy of the "C.O.M. Information Form" on this page.

All C.O.M., C.O.L. and C.O.V. must be labeled with the purchase order number.

C.O.M., C.O.L. and C.O.V. Production

Customer's fabrics and leathers must be approved prior to acceptance for production. Upon test approval, a 1" square sample swatch of upholstery material must accompany the order. KI assumes no responsibility for wear, defects or performance of customer's own fabrics, vinyl or leather. C.O.M., C.O.L. and C.O.V. orders are available on a deferred delivery basis.

Orders for production of C.O.M., C.O.L. and C.O.V. upholstered products are not scheduled for processing until upholstery material is received. Upon receipt, KI will provide an acknowledgement and an estimated shipping date.

KI recommends that leather be ordered in yardage. Leather must be usable. The outer edges cannot be calculated as square feet or yardage.

The C.O.M., C.O.L. and C.O.V. yardage requirements accompanying products in the pricing section are for 10 chairs/seats or less, 54" wide nondirectional material. On larger orders, less material is required.

For exact production yardage requirements, call 1-800-424-2432, ext. 2707.

C.O.M., C.O.L. and C.O.V. Order Processing

For products shipped from Green Bay, WI facility, ship upholstery material to:

KI
Attn: C.O.M. Storage
1687 Westminster Drive, Gate 3
Green Bay, WI 54302

For products shipped from Tupelo, MS facility ship material to:

KI Tupelo
Attn: C.O.M. Storage
2112 South Green Street
Tupelo, MS 38801

For products shipped from Bonduel, WI facility, ship material to:

KI
Attn: C.O.M. Storage
204 West South Street
Bonduel, WI 54107

For products shipped from Ontario, CA facility, ship material to:

Avail/Impress/Kismet/Medical & Laboratory Stools/Pilot
Attn: C.O.M. Storage
1110 S. Mildred Ave.
Ontario, CA 91761

Intricate Patterns

In the event of specific requirements for positioning of intricate patterns or pattern repeats on seats and backrests, provide a sketch noting requirements, as in Diagram B, along with materials for testing, and with the order.

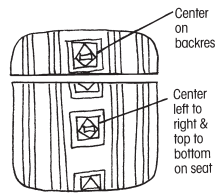


Diagram B

Treated Materials

If C.O.M. requires processing such as Scotchgard® or acrylic backing, it often shrinks. To prevent delays in delivery or back ordering due to shrinkage, please have your processor remeasure after processing and assure adequate yardage shipment.

Split Orders

If a portion of the shipment which does not require C.O.M., C.O.L. or C.O.V. applications is to be processed and shipped early, KI will enter the order immediately at your request. These split shipments are subject to minimum order changes.

Contact the C.O.M. Specialist at 1-800-424-2432, ext. 2707, with questions or to verify a split order.

Excess Upholstery Material

KI will dispose of excess upholstery material at the time of shipment unless expressly requested to return it with the product shipment.

Cancelled or Changed Orders

KI assumes no responsibility for extra C.O.M., C.O.L. or C.O.V. material due to a change of upholstery or cancellation of an order. It is the customer's responsibility to arrange for return of this material.

C.O.M., C.O.L. and C.O.V. Information Form

A copy of this form should accompany test requests and production orders. Please fill it out completely, and, if your order has been acknowledged, provide the acknowledgement number.

Purchasing Agent (Dealer or buying organization) _____
 Attention _____
 Address _____
 City _____ State _____ Zip _____
 Project Name _____
 Type of seating and number of units of each type _____

Please see information below and check the appropriate box.

Submitted for testing.

Test approved. Submitted for production.

Purchase Order Number _____

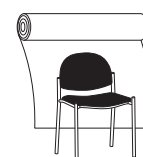
KI Acknowledgement Number _____

In all instances, send this form to the C.O.M. Specialist.

A Selvage Top and Bottom



B Selvage Side and Side





Ordering C.O.M., C.O.L., and C.O.V.
BONDUEL, GREEN BAY, ONTARIO, and TUPELO



Custom Color Matching Requirements

KI Custom Poly Color Matching Program

Whatever you imagine, whatever you require, KI's custom color-matching program lets you pick your color. Match an organization's brand colors. Match fabrics. Match surface materials. The choice is yours.

Custom Color Matching Requirements

- **Pantone Number or Color Samples.** To ensure we match your color exactly, we require either a Pantone color number or two color samples (chip, swatch, or paint sample). We do request that the size be substantial enough to allow for us to retain for our internal matching process (minimum 2.5" x 3.5").
- **Extended Lead Time.** Using the unique combinations of specialty bases and pigments, our Custom Color Matching and Manufacturing processes do add time to your production schedule.
 - The color match process (see steps below) on average will take 2-3 weeks to produce a match sample for your review and gain your written approval to proceed. *Starting this during the quoting process is encouraged to reduce overall lead time.*
 - Orders with custom colors will typically reflect standard lead time plus 15 additional days to source the appropriate raw materials and run the custom order.
- **Minimum Quantity.** No additional set-up fee is incurred if the quantity (per color, product line, and order) is 100 or more. A \$500 set-up fee (per color, product line, and order) is applied if the quantity is 99 or less. You'll see a "Custom Color Set-Up Charge" note appear on your Custom Options Quote until the order is placed and quantity is determined.

Note: The Doni Seating Collection, with its two-tone color capabilities, would require a single \$500 set-up fee if one or both colors are custom. In addition, please note that reversing the inner/outer colors of Doni's two-tone standard color combinations would also be considered custom.

Custom Color Matching Process

When your purchase order is submitted, it is simply placed on hold until the color match is finalized. As soon as we receive your Pantone number or custom color samples, the process for color matching begins.

Note: *If the project requires a compressed manufacturing/shipping schedule, KI encourages you to process the color match during the quotation stage. This will accelerate the purchase order release into production.*

Step 1. Provide the Pantone color number to KI Customer Service by calling Customer Service at 1-800-424-2432 or emailing us at SalesOps@ki.com. Custom color samples can be mailed to KI at:

KI Customer Service (Provide specific contact name if known)
 Attn: **Custom Color Match Required (Please reference the PO# or Project Name)**
 1330 Bellevue Street
 Green Bay, WI 54302

**In the event the color requested is a discontinued KI color or non-standard on the product requested, no color match is necessary (minimum quantities and extended lead time still apply). KI will use the custom options process to facilitate the quote/order.*

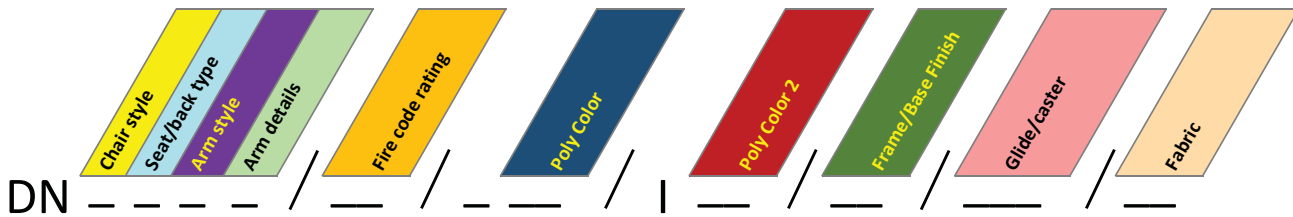
Step 2. KI begins the matching process which takes 5-10 days depending upon how quickly the exact color is matched, taking into account lighting, visual and spectrographic readings as compared to the originals.

Step 3. We then ship the color sample chip and a letter asking for you to sign the letter and fax it back to us within 24 to 48 hours.

Step 4. Upon receipt of your approval signature, we remove the hold status of your order and begin production, using standard production lead times plus 15 days.



Doni Options User Guide



Chair style

1 - 4 Leg on Glides
2 - 4 Leg on Casters
3 - Sled Base
4 - Cafe Stool
5 - Simple Function Task
6 - Simple Function Task Stool
C - Wall Saver
D - Multiple/Tandem
W - Tapered Wood Leg
X - Fourstar Swivel Base
Y - Tapered Steel Leg
Z - Wire Tower Base

Fire Code Rating

FR - Fire Retardant
NFR - Non Fire Retardant

Seat/back type

1 - No UPH Solid Color Poly
2 - UPH Seat Only Solid Color Poly
3 - UPH Seat and Back Solid Color Poly
A - No UPH Two-Tone Poly
B - UPH Seat Only Two-Tone Poly

Poly Color

Pxx - Solid Color Poly
Oxx - Outer Poly Color of Two-Tone Poly

Poly Color 2

Ixx - Inner Poly Color of Two-Tone Poly
 Note: Blank if Solid Color Poly

Frame/Base Finish

See color addendum

Arm style

0 - Armless
1 - Armrests

Glide/caster

GPL - Plastic Glide
GSL - Steel Glide
GNG - No Glide
GNL - Neutral Color Plastic Glide
GNS - Non-Skid Glide
CCC - Carpet Caster
CHC - Hard Floor Caster

Arm details

0 - Armless
1 - Fixed Arm

Fabric

Examples:

DN2A11/NFR/ONE/ICO/SX/CCC

Doni, 4 leg on casters, no uph two-tone poly, armrests, fixed arm, non FR, outer poly Nemo, inner poly Cottonwood, Starlight Silver frame, carpet casters

DN5200/FR/PBL/PA/CCC/27.202.066.P

Doni, simple function task, uph seat only solid color poly, armless, FR, poly Black, Polished Aluminum base, carpet caster, fabric Pallas Grid Iron

DNZ300/NFR/PNE/CH/GPL/1ZJE

Doni, wire tower base, uph seat and back solid poly, armless, non FR, poly Nemo, chrome frame, plastic glides, fabric Zone Jade

Guideline only. Subject to change



Doni™

Guest Chair General Information



Armless Fourstar Swivel Base Chair



Armless Tapered Steel Leg Chair



Armless Tapered Wood Leg Chair



Armless Wire Tower Base Chair

Features

Poly, upholstered seat, or upholstered seat/back

•

•

•

•

General Dimensions

Seat width	19-1/4"	19-1/4"	19-1/4"	19-1/4"
Seat depth	18-3/4"	18-3/4"	18-3/4"	18-3/4"
Seat height (upholstered add 1")	18"	18"	18"	18"

Overall Dimensions

Width	27-1/2"	19-3/8"	19-3/8"	19-3/8"
Depth	21"	21"	21"	21"
Height	33-3/4"	33-3/4"	33-3/4"	33-3/4"

SPECIFICATIONS

Seat Shell and Backrest Articulation Mechanism

The backrest and seat are injection-molded polypropylene. The seat and backrest are joined by a pair of hidden articulation mechanisms, each consisting of a 14-gauge steel housing, twin 7-gauge levers, and steel coil springs. While maintaining a one-piece shell appearance, this mechanism allows the backrest to recline up to 17 degrees of motion.

Optional Upholstered Seat and Back

Urethane foam is attached to an injection-molded polypropylene liner board, then upholstered using a draw-string process. Seat foam is molded nominal 1" thickness, and back foam is nominal 1/2" thickness. The flush-head fasteners that attach the back pad are color-matched to the polypropylene.

Fourstar, Swivel Base

The under-seat support structure is a

die-drawn 12-gauge steel plate. A 3/4" diameter steel pin is welded to the seat plate allowing the seat to swivel on a nylon bushing housed in the base. Seat structure is finished with baked-on, electrostatically-applied 30 degree gloss epoxy powder-coat paint. The fixed height base constructed of a polished die-cast aluminum fourstar base and a chrome-plated steel tube column.

Tapered Steel Legs

A seat ring is made of 1/2" diameter steel wire and attached to the seat with 14-gauge steel brackets. Inner leg wires are made of 1/2" diameter steel wire and are plug-welded to tapered tubular legs. All joints are welded and the frames are finished in either baked-on, electrostatically-applied 30 degree gloss epoxy powder-coat paint or bright nickel-chrome plating.

Tapered Wood Legs

A seat ring is made of 1/2" diameter steel wire and attached to the seat with 14-gauge steel brackets. Inner leg wires made of 1/2"

diameter steel wire complete the subframe. All joints are welded and the subframes are finished with baked-on, electrostatically-applied 30 degree gloss epoxy powder-coat paint. Legs are turned from beech, stained, and clear-coat finished. Legs are drilled to accept subframe inner leg wires and fastened by means of two-part epoxy adhesive.

Wire Tower Base

A seat ring is made of 1/2" diameter steel wire and attached to the seat with 14-gauge steel brackets. Legs are 7/16" diameter steel wire, fully gusseted with 5/16" diameter wire. All joints are welded and frames are finished in bright nickel-chrome plating.

Glides

The tapered steel legs are equipped with swivel glides in a bright steel finish. The wire tower base, wood legs, and fourstar swivel base are equipped with black nylon glides.

INFORMATION

C.O.M. Testing and Production Requirements

Not all materials are suitable for upholstering this product. A 1 yd. x 54" sample must be submitted and approved prior to acceptance of an order. If the fabric is directional in pattern or weave, the direction must be indicated on the submitted sample, and additional yardage may be requested.

Test samples must be sent to:

KI
Attn: C.O.M. Specialist
1687 Westminster Drive - Gate 3
Green Bay, WI 54302

Design

Designed by Giancarlo Piretti and manufactured in the USA by Krueger International, Inc. under license from Pro-Cord S.p.A



KI Custom Poly Color Matching Program

Whatever you imagine, whatever you require. KI's custom color-matching program lets you pick your color.

No upcharge with a minimum quantity of 100 or more (\$500 set-up charge if quantity is 99 or less). See "Custom Color Matching Requirements" page in the front of this book for ordering details.

INFORMATION

Warranty

Refer to KI Terms & Conditions document or visit ki.com

Doni™
Guest Chairs



- DNX1
- DNX2
- DNX3
- DNXA
- DNXB
- Fourstar Swivel Base Armless Chair**
- Solid or two-tone colored shell
- Unlimited custom color matching
- 17 degrees of hip articulation
- Task and stack chair models available
- 300 pound approved

Features	MODEL NUMBER							Approx. Packaged Weight
	Basic Model	Fire Code	Poly Solid Color	Poly Outside Color	Poly Inside Color	Glide Option	Upholstery Color	
Solid Color, Polypropylene	DNX100	<input type="checkbox"/> <input type="checkbox"/>	<input type="checkbox"/> <input type="checkbox"/>			GPL		22.0#
Solid Color, Upholstered Seat	DNX200	<input type="checkbox"/> <input type="checkbox"/>	<input type="checkbox"/> <input type="checkbox"/>			GPL	<input type="checkbox"/> <input type="checkbox"/> <input type="checkbox"/> <input type="checkbox"/>	24.5#
Solid Color, Upholstered Seat/Back	DNX300	<input type="checkbox"/> <input type="checkbox"/>	<input type="checkbox"/> <input type="checkbox"/>			GPL	<input type="checkbox"/> <input type="checkbox"/> <input type="checkbox"/> <input type="checkbox"/>	26.0#
Two-Tone, Polypropylene	DNXA00	NFR		<input type="checkbox"/> <input type="checkbox"/>	<input type="checkbox"/> <input type="checkbox"/>	GPL		22.0#
Two-Tone, Upholstered Seat	DNXB00	NFR		<input type="checkbox"/> <input type="checkbox"/>	<input type="checkbox"/> <input type="checkbox"/>	GPL	<input type="checkbox"/> <input type="checkbox"/> <input type="checkbox"/> <input type="checkbox"/>	24.5#

A **B** **C** **D** **E** **F** **G**

HOW TO ORDER

- Indicate the following information on order form:
1. Quantity of each item.
 2. Model number, including options. See "How To Build a Model Number".
 3. Any special service required.

- Note:
- The indicates that a choice is required.
 - The absence of the indicates that no choice is required.
 - Alpha-numeric characters in place of indicate that no other alternatives are available.

HOW TO BUILD A MODEL NUMBER

- A** Select basic model.
- B** Select fire code.
 - FR** - Compliance to TB 133
 - NFR** - Compliance to TB 117-2013

See Upholstery Information for TB133 upcharge.
- C** Select solid poly color. Refer to color addendum at ki.com or KI Fabrics & Finishes binder.
- D** Select outside poly color. Refer to color addendum at ki.com or KI Fabrics & Finishes binder.
- E** Select inside poly color. Refer to color addendum at ki.com or KI Fabrics & Finishes binder.
- F** Select glide option.
 - GPL** - Plastic glides
- G** Select upholstery grade/color. Refer to color addendum at ki.com or KI Fabrics & Finishes binder.



Delivered Pricing Unupholstered	Delivered Pricing Fabric Grade 1 & C.O.M.	Delivered Pricing Fabric Grade 2	Delivered Pricing Fabric Grade 3	Delivered Pricing C.O.V.	Delivered Pricing Vinyl Group 2V	Delivered Pricing Pallas Fabric Group P0	Delivered Pricing Pallas Fabric Group P1	Delivered Pricing Pallas Fabric Group P2	Delivered Pricing Pallas Fabric Group P3	Delivered Pricing Pallas Fabric Group P4
\$ 480	N/A	586	594	609	586	609	617	653	667	711
	N/A	611	619	634	611	634	642	678	692	736
530	N/A	636	644	659	636	659	667	703	717	761

UPHOLSTERY INFORMATION

C.O.M. Upholstery

C.O.M. requirement for 10 chairs or less with upholstered seat or upholstered seat and back is 3/4 yard per chair of 54" wide nondirectional fabric. For orders of 11 or more with upholstered seat and back and for complete information on ordering C.O.M. see "Ordering C.O.M., C.O.V. and C.O.L." section.

California TB133 Fire Safety Code

For California Technical Bulletin 133 compliant models, add the following upcharge:
 Model=Solid Color, Polypropylene
 Added List Price=\$10
 Model=Solid Color, Upholstered Seat
 Added List Price=\$63
 Model=Solid Color, Upholstered Seat/Back
 Added List Price=\$90

SPECIAL SERVICES

Special Carton Marking

With specially marked information N/C

Shipping

Shipped **assembled freight prepaid f.o.b. Green Bay, Wisconsin 54302** factory. Freight class #125.

Specifications and prices are subject to change without prior notice.

Doni™

Guest Chairs



DNY1
DNY2
DNY3
DNYA
DNYB

Tapered Steel Leg Armless Chair

- Solid or two-tone colored shell
- Unlimited custom color matching
- 17 degrees of hip articulation
- Task and stack chair models available
- 300 pound approved

Features	MODEL NUMBER								Approx. Packaged Weight
	Basic Model	Fire Code	Poly Solid Color	Poly Outside Color	Poly Inside Color	Frame Color	Glide Option	Upholstery Color	
Solid Color, Polypropylene	DNY100	<input type="checkbox"/> <input type="checkbox"/> <input type="checkbox"/>	<input type="checkbox"/> <input type="checkbox"/> <input type="checkbox"/>			<input type="checkbox"/> <input type="checkbox"/>	<input type="checkbox"/> <input type="checkbox"/> <input type="checkbox"/>		22.5#
Solid Color, Upholstered Seat	DNY200	<input type="checkbox"/> <input type="checkbox"/> <input type="checkbox"/>	<input type="checkbox"/> <input type="checkbox"/> <input type="checkbox"/>			<input type="checkbox"/> <input type="checkbox"/>	<input type="checkbox"/> <input type="checkbox"/> <input type="checkbox"/>	<input type="checkbox"/> <input type="checkbox"/> <input type="checkbox"/> <input type="checkbox"/> <input type="checkbox"/>	25.0#
Solid Color, Upholstered Seat/Back	DNY300	<input type="checkbox"/> <input type="checkbox"/> <input type="checkbox"/>	<input type="checkbox"/> <input type="checkbox"/> <input type="checkbox"/>			<input type="checkbox"/> <input type="checkbox"/>	<input type="checkbox"/> <input type="checkbox"/> <input type="checkbox"/>	<input type="checkbox"/> <input type="checkbox"/> <input type="checkbox"/> <input type="checkbox"/> <input type="checkbox"/>	26.5#
Two-Tone, Polypropylene	DNYA00	NFR		<input type="checkbox"/> <input type="checkbox"/> <input type="checkbox"/>	<input type="checkbox"/> <input type="checkbox"/> <input type="checkbox"/>	<input type="checkbox"/> <input type="checkbox"/>	<input type="checkbox"/> <input type="checkbox"/> <input type="checkbox"/>		22.5#
Two-Tone, Upholstered Seat	DNYB00	NFR		<input type="checkbox"/> <input type="checkbox"/> <input type="checkbox"/>	<input type="checkbox"/> <input type="checkbox"/> <input type="checkbox"/>	<input type="checkbox"/> <input type="checkbox"/>	<input type="checkbox"/> <input type="checkbox"/> <input type="checkbox"/>	<input type="checkbox"/> <input type="checkbox"/> <input type="checkbox"/> <input type="checkbox"/> <input type="checkbox"/>	25.0#

A **B** **C** **D** **E** **F** **G** **H**

HOW TO ORDER

Indicate the following information on order form:

1. Quantity of each item.
2. Model number, including options. See "How To Build a Model Number".
3. Any special service required.

Note: • The indicates that a choice is required.
• The absence of the indicates that no choice is required.
• Alpha-numeric characters in place of indicate that no other alternatives are available.

HOW TO BUILD A MODEL NUMBER

A Select basic model.

B Select fire code.

NFR - Compliance to TB 117-2013

FR - Compliance to TB 133

See Upholstery Information for TB133 upcharge.

C Select solid poly color.

Refer to color addendum at ki.com or KI Fabrics & Finishes binder.

D Select outside poly color.

Refer to color addendum at ki.com or KI Fabrics & Finishes binder.

E Select inside poly color.

Refer to color addendum at ki.com or KI Fabrics & Finishes binder.

F Select frame color.

Refer to color addendum at ki.com or KI

Fabrics & Finishes binder.

G Select glide option.

GNL - Neutral color glides

GSL - Steel glides

H Select upholstery grade/color.

Refer to color addendum at ki.com or KI Fabrics & Finishes binder.



Delivered Pricing Unupholstered	Delivered Pricing Fabric Grade 1 & C.O.M.	Delivered Pricing Fabric Grade 2	Delivered Pricing Fabric Grade 3	Delivered Pricing C.O.V.	Delivered Pricing Vinyl Group 2V	Delivered Pricing Pallas Fabric Group P0	Delivered Pricing Pallas Fabric Group P1	Delivered Pricing Pallas Fabric Group P2	Delivered Pricing Pallas Fabric Group P3	Delivered Pricing Pallas Fabric Group P4
\$ 360	N/A	466	474	489	466	489	497	533	547	591
	N/A	491	499	514	491	514	522	558	572	616
410	N/A	516	524	539	516	539	547	583	597	641

UPHOLSTERY INFORMATION

C.O.M. Upholstery

C.O.M. requirement for 10 chairs or less with upholstered seat or upholstered seat and back is 3/4 yard per chair of 54" wide nondirectional fabric. For orders of 11 or more with upholstered seat and back and for complete information on ordering C.O.M. see "Ordering C.O.M., C.O.V. and C.O.L." section.

California TB133 Fire Safety Code

For California Technical Bulletin 133 compliant models, add the following upcharge:
 Model=Solid Color, Polypropylene
 Added List Price=\$10
 Model=Solid Color, Upholstered Seat
 Added List Price=\$63
 Model=Solid Color, Upholstered Seat/Back
 Added List Price=\$90

SPECIAL SERVICES

Special Carton Marking

With specially marked information N/C

Shipping

Shipped **assembled freight prepaid f.o.b. Green Bay, Wisconsin 54302** factory. Freight class #125.

Specifications and prices are subject to change without prior notice.

Doni™

Guest Chairs



DNW1
DNW2
DNW3
DNWA
DNWB

Tapered Wood Leg Armless Chair

- Solid or two-tone colored shell
- Unlimited custom color matching
- 17 degrees of hip articulation
- Task and stack chair models available
- 300 pound approved

Features	MODEL NUMBER								Approx. Packaged Weight
	Basic Model	Fire Code	Poly Solid Color	Poly Outside Color	Poly Inside Color	Wood Leg Finish	Glide Option	Upholstery Color	
Solid Color, Polypropylene	DNW100	<input type="checkbox"/> <input type="checkbox"/>	<input type="checkbox"/> <input type="checkbox"/>			<input type="checkbox"/> <input type="checkbox"/>	GPL		18.0#
Solid Color, Upholstered Seat	DNW200	<input type="checkbox"/> <input type="checkbox"/>	<input type="checkbox"/> <input type="checkbox"/>			<input type="checkbox"/> <input type="checkbox"/>	GPL	<input type="checkbox"/> <input type="checkbox"/> <input type="checkbox"/> <input type="checkbox"/>	20.5#
Solid Color, Upholstered Seat/Back	DNW300	<input type="checkbox"/> <input type="checkbox"/>	<input type="checkbox"/> <input type="checkbox"/>			<input type="checkbox"/> <input type="checkbox"/>	GPL	<input type="checkbox"/> <input type="checkbox"/> <input type="checkbox"/> <input type="checkbox"/>	22.0#
Two-Tone, Polypropylene	DNWA00	NFR		<input type="checkbox"/> <input type="checkbox"/>	<input type="checkbox"/> <input type="checkbox"/>	<input type="checkbox"/> <input type="checkbox"/>	GPL		18.0#
Two-Tone, Upholstered Seat	DNWB00	NFR		<input type="checkbox"/> <input type="checkbox"/>	<input type="checkbox"/> <input type="checkbox"/>	<input type="checkbox"/> <input type="checkbox"/>	GPL	<input type="checkbox"/> <input type="checkbox"/> <input type="checkbox"/> <input type="checkbox"/>	20.5#

A **B** **C** **D** **E** **F** **G** **H**

HOW TO ORDER

- Indicate the following information on order form:
1. Quantity of each item.
 2. Model number, including options. See "How To Build a Model Number".
 3. Any special service required.

Note: • The indicates that a choice is required.
 • The absence of the indicates that no choice is required.
 • Alpha-numeric characters in place of indicate that no other alternatives are available.

HOW TO BUILD A MODEL NUMBER

- A** Select basic model.
- B** Select fire code.
FR - Compliance to TB 133
NFR - Compliance to TB 117-2013
 See Upholstery Information for TB133 upcharge.
- C** Select solid poly color.
 Refer to color addendum at ki.com or KI Fabrics & Finishes binder.
- D** Select outside poly color.
 Refer to color addendum at ki.com or KI Fabrics & Finishes binder.
- E** Select inside poly color.
 Refer to color addendum at ki.com or KI Fabrics & Finishes binder.
- F** Select wood leg finish color.
 Refer to color addendum at ki.com or KI

Fabrics & Finishes binder.

- G** Select glide option.
GPL - Plastic glides
- H** Select upholstery grade/color.
 Refer to color addendum at ki.com or KI Fabrics & Finishes binder.



Delivered Pricing Unupholstered	Delivered Pricing Fabric Grade 1 & C.O.M.	Delivered Pricing Fabric Grade 2	Delivered Pricing Fabric Grade 3	Delivered Pricing C.O.V.	Delivered Pricing Vinyl Group 2V	Delivered Pricing Pallas Fabric Group P0	Delivered Pricing Pallas Fabric Group P1	Delivered Pricing Pallas Fabric Group P2	Delivered Pricing Pallas Fabric Group P3	Delivered Pricing Pallas Fabric Group P4
\$ 585										
N/A	691	699	714	691	714	722	758	772	790	816
N/A	716	724	739	716	739	747	783	797	815	841
635										
N/A	741	749	764	741	764	772	808	822	840	866

UPHOLSTERY INFORMATION

C.O.M. Upholstery

C.O.M. requirement for 10 chairs or less with upholstered seat or upholstered seat and back is 3/4 yard per chair of 54" wide nondirectional fabric. For orders of 11 or more with upholstered seat and back and for complete information on ordering C.O.M. see "Ordering C.O.M., C.O.V. and C.O.L." section.

California TB133 Fire Safety Code

For California Technical Bulletin 133 compliant models, add the following upcharge:
 Model=Solid Color, Polypropylene
 Added List Price=\$10
 Model=Solid Color, Upholstered Seat
 Added List Price=\$63
 Model=Solid Color, Upholstered Seat/Back
 Added List Price=\$90

SPECIAL SERVICES

Special Carton Marking

With specially marked information N/C

Shipping

Shipped **assembled freight prepaid f.o.b. Green Bay, Wisconsin 54302** factory. Freight class #125.

Specifications and prices are subject to change without prior notice.

Doni™

Guest Chairs



DNZ1
DNZ2
DNZ3
DNZA
DNZB
Wire Tower Base Armless Chair

- Solid or two-tone colored shell
- Unlimited custom color matching
- 17 degrees of hip articulation
- Task and stack chair models available
- 300 pound approved

Features	MODEL NUMBER							Approx. Packaged Weight
	Basic Model	Fire Code	Poly Solid Color	Poly Outside Color	Poly Inside Color	Glide Option	Upholstery Color	
Solid Color, Polypropylene	DNZ100	☐☐☐	☐☐☐			GPL		17.5#
Solid Color, Upholstered Seat	DNZ200	☐☐☐	☐☐☐			GPL	☐☐☐☐☐	20.0#
Solid Color, Upholstered Seat/ Back	DNZ300	☐☐☐	☐☐☐			GPL	☐☐☐☐☐	21.5#
Two-Tone, Polypropylene	DNZA00	NFR		☐☐☐	☐☐☐	GPL		17.5#
Two-Tone, Upholstered Seat	DNZB00	NFR		☐☐☐	☐☐☐	GPL	☐☐☐☐☐	20.0#

A **B** **C** **D** **E** **F** **G**

HOW TO ORDER

- Indicate the following information on order form:
- Quantity of each item.
 - Model number, including options. See "How To Build a Model Number".
 - Any special service required.

Note: • The indicates that a choice is required.
 • The absence of the indicates that no choice is required.
 • Alpha-numeric characters in place of indicate that no other alternatives are available.

HOW TO BUILD A MODEL NUMBER

- A** Select basic model.
- B** Select fire code.

FR	- Compliance to TB 133
NFR	- Compliance to TB 117-2013

See Upholstery Information for TB133 upcharge.
- C** Select solid poly color.
Refer to color addendum at ki.com or KI Fabrics & Finishes binder.
- D** Select outside poly color.
Refer to color addendum at ki.com or KI Fabrics & Finishes binder.
- E** Select inside poly color.
Refer to color addendum at ki.com or KI Fabrics & Finishes binder.
- F** Select glide option.

GPL	- Plastic glides
------------	------------------
- G** Select upholstery grade/color.
Refer to color addendum at ki.com or KI Fabrics & Finishes binder.



Delivered Pricing Unupholstered	Delivered Pricing Fabric Grade 1 & C.O.M.	Delivered Pricing Fabric Grade 2	Delivered Pricing Fabric Grade 3	Delivered Pricing C.O.V.	Delivered Pricing Vinyl Group 2V	Delivered Pricing Pallas Fabric Group P0	Delivered Pricing Pallas Fabric Group P1	Delivered Pricing Pallas Fabric Group P2	Delivered Pricing Pallas Fabric Group P3	Delivered Pricing Pallas Fabric Group P4	
\$ 310	N/A	416	424	439	416	439	447	483	497	515	541
	N/A	441	449	464	441	464	472	508	522	540	566
360	N/A	466	474	489	466	489	497	533	547	565	591

UPHOLSTERY INFORMATION

C.O.M. Upholstery

C.O.M. requirement for 10 chairs or less with upholstered seat or upholstered seat and back is 3/4 yard per chair of 54" wide nondirectional fabric. For orders of 11 or more with upholstered seat and back and for complete information on ordering C.O.M. see "Ordering C.O.M., C.O.V. and C.O.L." section.

California TB133 Fire Safety Code

For California Technical Bulletin 133 compliant models, add the following upcharge:
 Model=Solid Color, Polypropylene
 Added List Price=\$10
 Model=Solid Color, Upholstered Seat
 Added List Price=\$63
 Model=Solid Color, Upholstered Seat/Back
 Added List Price=\$90

SPECIAL SERVICES

Special Carton Marking

With specially marked information N/C

Shipping

Shipped **assembled freight prepaid f.o.b. Green Bay, Wisconsin 54302** factory. Freight class #125.

Specifications and prices are subject to change without prior notice.

Doni™

Stack Chair General Information



Armless Four-Leg Chair



Four-Leg Armchair

Armless Four-Leg Chair
with CastersFour-Leg Armchair
with Casters

Features				
Stackable	•	•	•	•
Poly, upholstered seat, or upholstered seat/back	•	•	•	•
General Dimensions				
Seat width	19-1/4"	19-1/4"	19-1/4"	19-1/4"
Seat depth	18-3/4"	18-3/4"	18-3/4"	18-3/4"
Seat height (upholstered add 1")	18"	18"	18"	18"
Overall Dimensions				
Width	22-1/4"	25-3/8"	23-1/4"	25-3/8"
Depth	21-1/2"	21-1/2"	22-1/8"	22-1/8"
Height	33-3/4"	33-3/4"	33-3/4"	33-3/4"
Arms to floor		26-1/2"		26-1/2"
Stacking on Dolly				
Overall width	25"	25-3/8"	25"	25-3/8"
Overall depth	42"	42"	42"	42"
Quantity/height - poly	12 Chairs / 69" High	12 Chairs / 69" High	12 Chairs / 69" High	12 Chairs / 69" High
Quantity/height - upholstered	6 Chairs / 50" High	6 Chairs / 50" High	6 Chairs / 50" High	6 Chairs / 50" High
Stacking on Floor				
Width	22-1/4"	25-3/8"	23-1/4"	25-3/8"
Depth	34"	34"	34"	34"
Quantity/height	6 Chairs / 49" High	6 Chairs / 49" High	6 Chairs / 49" High	6 Chairs / 49" High

SPECIFICATIONS

Seat Shell and Backrest Articulation Mechanism

The backrest and seat are injection-molded polypropylene. The seat and backrest are joined by a pair of hidden articulation mechanisms, each consisting of a 14-gauge steel housing, twin 7-gauge levers, and steel coil springs. While maintaining a one-piece shell appearance, this mechanism allows the backrest to recline up to 17 degrees of motion.

Optional Upholstered Seat and Back

Urethane foam is attached to an injection-molded polypropylene liner board, then upholstered using a draw-string process. Seat foam is molded nominal 1" thickness, and back foam is nominal 1/2" thickness. The flush-head fasteners that attach the back pad are color-matched to the polypropylene.

4-Leg and Caster Frame

Legs are 7/8" o.d. x 13-gauge tubular

steel. A single ring of 1/2" diameter steel wire forms the crossmember. All joints are welded. An optional wallsaver configuration is available. The wallsaver configuration maintains 1/2" gap between backrest and wall by locking the backrest mechanisms in the upright position.

Sled Frame

Sled side frames are made from 3/4" o.d. x 13-gauge tubular steel. A single ring of 1/2" diameter steel wire forms the crossmember. All joints are welded.

Stool Frame

A seat ring is made of 1/2" diameter steel wire and attached to the seat with 14-gauge steel brackets. Legs are 3/4" diameter steel tubing. A 3-sided footrest is made of 1/2" diameter steel wire. All joints are welded.

Frame Finish

Frames are finished in either baked-on, electrostatically-applied 30 degree gloss epoxy powder-coat paint or bright nickel-

chrome plating.

Arms

Optional armrests are available. When equipped with arms, the support structure is a continuation of the rear leg finished to match the frame color. The armrests are injection-molded, glass-reinforced polypropylene. Arm color matches the frame finish (except for chrome, hammertone, and metallic finishes which match the outer shell poly color). The steel frame tube is inserted into a socket molded into the armrest and secured with a screw.

Glides

The bottom ends of the 4-leg chair tubes are formed to be vertical where they meet the floor. The leg tubes are capped with polypropylene end caps matching the leg color (except chrome, hammertone, and metallic finishes which use black caps). Optional glides for the leg chairs have a bright steel surface or plastic glides. Optional glides for the sled base are co-extruded to provide a

softer, non-skid surface to protect the floor, but do not glide.

Sled base chairs are also available with black nylon (plastic), stainless steel, or non-marring (clear nylon) glides.

Stools are equipped with swivel glides in a bright steel finish. The floor contact surface is either steel or neutral color nylon.

Casters

4-leg chairs may be ordered with casters instead of glides. Casters are 50mm o.d. double-wheel, high-impact thermoplastic available with hard or soft wheel surface, in black only.

Gangers

Optional gangers are available on armless 4-leg and sled base chairs only. Gangers are made of chrome-plated 3/16" diameter steel wire mounted to the chair with an injection-molded nylon hub.


Armless Sled Base Chair

Sled Base Armchair

24" Cafe Stool

30" Cafe Stool

Transport Dolly

Features					
Stackable	•	•			
Poly, upholstered seat, or upholstered seat/back	•	•	•	•	
General Dimensions					
Seat width	19-1/4"	19-1/4"	19-1/4"	19-1/4"	
Seat depth	18-3/4"	18-3/4"	18-3/4"	18-3/4"	
Seat height (upholstered add 1")	18"	18"	24"	30"	
Overall Dimensions					
Width	22-1/4"	25-3/8"	21"	22-1/2"	23-3/4"
Depth	22-1/8"	22-1/8"	21"	21-1/2"	35-1/2"
Height	33-3/4"	33-3/4"	39-3/4"	45-3/4"	62-1/4"
Arms to floor		26-1/2"			
Stacking on Dolly					
Overall width	25"	25-3/8"			
Overall depth	42"	42"			
Quantity/height - poly	12 Chairs / 69" High	12 Chairs / 69" High			
Quantity/height - upholstered	6 Chairs / 50" High	6 Chairs / 50" High			
Stacking on Floor					
Width	22"	25-3/8"			
Depth	34"	34"			
Quantity/height	6 Chairs / 49" High	6 Chairs / 49" High			

Transport Dolly

Frame construction is welded tubular steel with a black powder-coated finish and 5" wheels (two swivel and two fixed). The dolly fits 4-leg and sled base chairs and has a capacity of 12 poly chairs or 6 upholstered.

Stacking Vinyl Upholstered Chairs

It is recommended that stools to be stacked be covered in material other than vinyl as an impression in the seat may result. KI does not warrant the effects of stacking on stock or C.O.M. vinyl upholstery.

INFORMATION

C.O.M. Testing and Production Requirements

Not all materials are suitable for upholstering this product. A 1 yd. x 54" sample must be submitted and approved prior to acceptance of an order. If the fabric is directional in pattern or weave, the direction must be indicated on the submitted sample, and additional yardage may be requested.

Test samples must be sent to:

KI
 Attn: C.O.M. Specialist
 1687 Westminster Drive - Gate 3
 Green Bay, WI 54302

Design

Designed by Giancarlo Piretti and manufactured in the USA by Krueger International, Inc. under license from Pro-Cord S.p.A

KI Custom Poly Color Matching Program

Whatever you imagine, whatever you require. KI's custom color-matching program lets you pick your color.

No upcharge with a minimum quantity of 100 or more (\$500 set-up charge if quantity is 99 or less). See "Custom Color Matching Requirements" page in the front of this book for ordering details.

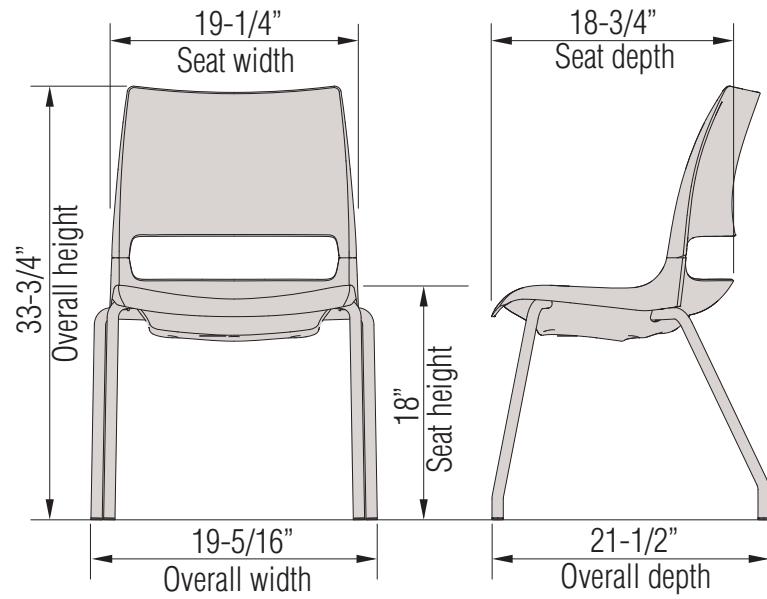
INFORMATION

Warranty

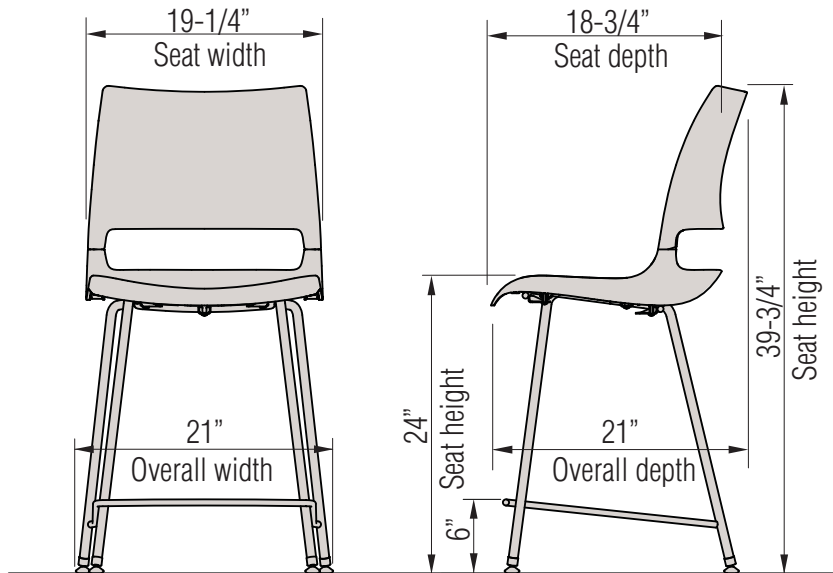
Refer to KI Terms & Conditions document or visit ki.com

Doni™

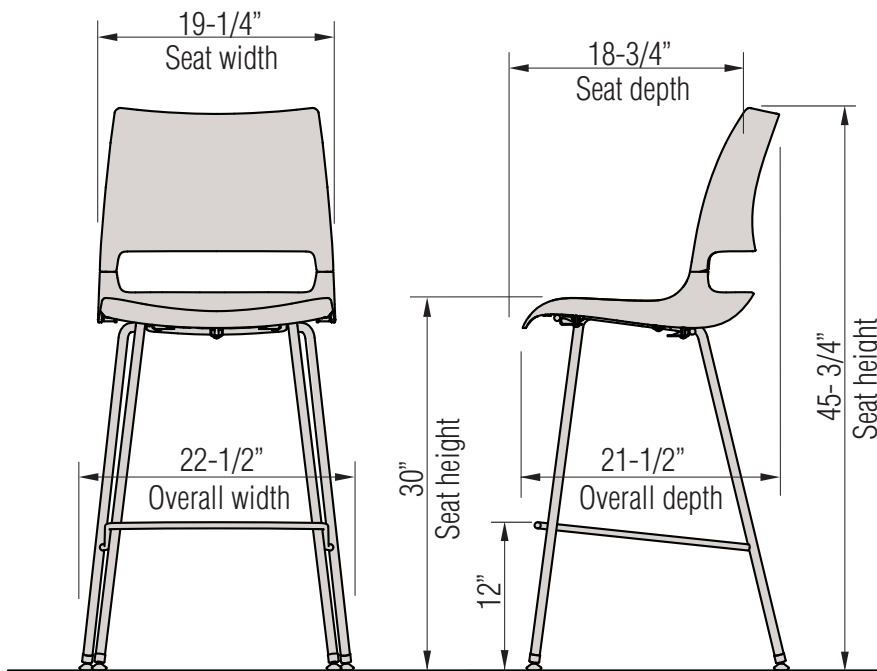
Stack Chair General Information



Doni Stack Chair



Doni 24" Cafe Stool



Doni 30" Cafe Stool

Doni®

Stack Chairs



- DN11
 - DN12
 - DN13
 - DN1A
 - DN1B
- Four-Leg Armless Chair**
- Solid or two-tone colored shell
 - Unlimited custom color matching
 - 17 degrees of hip articulation
 - Task and guest chair models available
 - 300 pound approved
 - Stacking

Features	MODEL NUMBER								Approx. Packaged Weight
	Basic Model	Fire Code	Poly Solid Color	Poly Outside Color	Poly Inside Color	Frame Color	Glide Option	Upholstery Color	
Solid Color, Polypropylene	DN1100	<input type="checkbox"/> <input type="checkbox"/>	<input type="checkbox"/> <input type="checkbox"/>			<input type="checkbox"/> <input type="checkbox"/>	<input type="checkbox"/> <input type="checkbox"/>		19.0#
Solid Color, Upholstered Seat	DN1200	<input type="checkbox"/> <input type="checkbox"/>	<input type="checkbox"/> <input type="checkbox"/>			<input type="checkbox"/> <input type="checkbox"/>	<input type="checkbox"/> <input type="checkbox"/>	<input type="checkbox"/> <input type="checkbox"/> <input type="checkbox"/> <input type="checkbox"/>	21.5#
Solid Color, Upholstered Seat/Back	DN1300	<input type="checkbox"/> <input type="checkbox"/>	<input type="checkbox"/> <input type="checkbox"/>			<input type="checkbox"/> <input type="checkbox"/>	<input type="checkbox"/> <input type="checkbox"/>	<input type="checkbox"/> <input type="checkbox"/> <input type="checkbox"/> <input type="checkbox"/>	23.0#
Two-Tone, Polypropylene	DN1A00	NFR		<input type="checkbox"/> <input type="checkbox"/>	<input type="checkbox"/> <input type="checkbox"/>	<input type="checkbox"/> <input type="checkbox"/>	<input type="checkbox"/> <input type="checkbox"/>		19.0#
Two-Tone, Upholstered Seat	DN1B00	NFR		<input type="checkbox"/> <input type="checkbox"/>	<input type="checkbox"/> <input type="checkbox"/>	<input type="checkbox"/> <input type="checkbox"/>	<input type="checkbox"/> <input type="checkbox"/>	<input type="checkbox"/> <input type="checkbox"/> <input type="checkbox"/> <input type="checkbox"/>	21.5#

A
 B
 C
 D
 E
 F
 G
 H

HOW TO ORDER

- Indicate the following information on order form:
1. Quantity of each item.
 2. Model number, including options. See "How To Build a Model Number".
 3. Any special service required.

Note:

- The indicates that a choice is required.
- The absence of the indicates that no choice is required.
- Alpha-numeric characters in place of indicate that no other alternatives are available.

HOW TO BUILD A MODEL NUMBER

- A** Select basic model.
- B** Select fire code.
 NFR - Compliance to TB 117-2013
 FR - Compliance to TB 133
 See Upholstery Information for TB133 upcharge.
- C** Select solid poly color.
 Refer to color addendum at ki.com or KI Fabrics & Finishes binder.
- D** Select outside poly color.
 Refer to color addendum at ki.com or KI Fabrics & Finishes binder.
- E** Select inside poly color.
 Refer to color addendum at ki.com or KI Fabrics & Finishes binder.
- F** Select frame color.
 Refer to color addendum at ki.com or KI

Fabrics & Finishes binder.

- G** Select glide option.
 GPL - Plastic glides
 GSL - Steel glides
- H** Select upholstery grade/color.
 Refer to color addendum at ki.com or KI Fabrics & Finishes binder.



Delivered Pricing Unupholstered	Delivered Pricing Fabric Grade 1 & C.O.M.	Delivered Pricing Fabric Grade 2	Delivered Pricing Fabric Grade 3	Delivered Pricing C.O.V.	Delivered Pricing Vinyl Group 2V	Delivered Pricing Pallas Fabric Group P0	Delivered Pricing Pallas Fabric Group P1	Delivered Pricing Pallas Fabric Group P2	Delivered Pricing Pallas Fabric Group P3	Delivered Pricing Pallas Fabric Group P4
\$ 260										
N/A	366	374	389	366	389	397	433	447	465	491
N/A	391	399	414	391	414	422	458	472	490	516
310										
N/A	416	424	439	416	439	447	483	497	515	541

UPHOLSTERY INFORMATION

C.O.M. Upholstery

C.O.M. requirement for 10 chairs or less with upholstered seat or upholstered seat and back is 3/4 yard per chair of 54" wide nondirectional fabric. For orders of 11 or more with upholstered seat and back and for complete information on ordering C.O.M. see "Ordering C.O.M., C.O.V. and C.O.L." section.

California TB133 Fire Safety Code

For California Technical Bulletin 133 compliant models, add the following upcharge:
 Model=Solid Color, Polypropylene
 Added List Price=\$10
 Model=Solid Color, Upholstered Seat
 Added List Price=\$63
 Model=Solid Color, Upholstered Seat/Back
 Added List Price=\$90

SPECIAL SERVICES

Special Carton Marking

With specially marked information N/C

Shipping

Shipped **assembled freight prepaid f.o.b. Green Bay, Wisconsin 54302** factory. Freight class #125.

Specifications and prices are subject to change without prior notice.



Delivered Pricing Unupholstered	Delivered Pricing Fabric Grade 1 & C.O.M.	Delivered Pricing Fabric Grade 2	Delivered Pricing Fabric Grade 3	Delivered Pricing C.O.V.	Delivered Pricing Vinyl Group 2V	Delivered Pricing Pallas Fabric Group P0	Delivered Pricing Pallas Fabric Group P1	Delivered Pricing Pallas Fabric Group P2	Delivered Pricing Pallas Fabric Group P3	Delivered Pricing Pallas Fabric Group P4	
\$ 295	N/A	401	409	424	401	424	432	468	482	500	526
	N/A	426	434	449	426	449	457	493	507	525	551
345	N/A	451	459	474	451	474	482	518	532	550	576

UPHOLSTERY INFORMATION

C.O.M. Upholstery

C.O.M. requirement for 10 chairs or less with upholstered seat or upholstered seat and back is 3/4 yard per chair of 54" wide nondirectional fabric. For orders of 11 or more with upholstered seat and back and for complete information on ordering C.O.M. see "Ordering C.O.M., C.O.V. and C.O.L." section.

California TB133 Fire Safety Code

For California Technical Bulletin 133 compliant models, add the following upcharge:
 Model=Solid Color, Polypropylene
 Added List Price=\$10
 Model=Solid Color, Upholstered Seat
 Added List Price=\$63
 Model=Solid Color, Upholstered Seat/Back
 Added List Price=\$90

SPECIAL SERVICES

Special Carton Marking

With specially marked information N/C

Shipping

Shipped **assembled freight prepaid f.o.b. Green Bay, Wisconsin 54302** factory. Freight class #125.

Specifications and prices are subject to change without prior notice.

Doni[®]

Stack Chairs



DN11
 DN12
 DN13
 DN1A
 DN1B
Four-Leg Armchair

- Solid or two-tone colored shell
- Unlimited custom color matching
- 17 degrees of hip articulation
- Task and guest chair models available
- 300 pound approved
- Stacking

Features	MODEL NUMBER								Approx. Packaged Weight
	Basic Model	Fire Code	Poly Solid Color	Poly Outside Color	Poly Inside Color	Frame Color	Glide Option	Upholstery Color	
Solid Color, Polypropylene	DN1111	<input type="checkbox"/> <input type="checkbox"/>	<input type="checkbox"/> <input type="checkbox"/>			<input type="checkbox"/> <input type="checkbox"/>	<input type="checkbox"/> <input type="checkbox"/> <input type="checkbox"/> <input type="checkbox"/>		20.5#
Solid Color, Upholstered Seat	DN1211	<input type="checkbox"/> <input type="checkbox"/>	<input type="checkbox"/> <input type="checkbox"/>			<input type="checkbox"/> <input type="checkbox"/>	<input type="checkbox"/> <input type="checkbox"/> <input type="checkbox"/> <input type="checkbox"/>	<input type="checkbox"/> <input type="checkbox"/> <input type="checkbox"/> <input type="checkbox"/>	23.0#
Solid Color, Upholstered Seat/Back	DN1311	<input type="checkbox"/> <input type="checkbox"/>	<input type="checkbox"/> <input type="checkbox"/>			<input type="checkbox"/> <input type="checkbox"/>	<input type="checkbox"/> <input type="checkbox"/> <input type="checkbox"/> <input type="checkbox"/>	<input type="checkbox"/> <input type="checkbox"/> <input type="checkbox"/> <input type="checkbox"/>	24.5#
Two-Tone, Polypropylene	DN1A11	NFR		<input type="checkbox"/> <input type="checkbox"/>	<input type="checkbox"/> <input type="checkbox"/>	<input type="checkbox"/> <input type="checkbox"/>	<input type="checkbox"/> <input type="checkbox"/> <input type="checkbox"/> <input type="checkbox"/>		20.5#
Two-Tone, Upholstered Seat	DN1B11	NFR		<input type="checkbox"/> <input type="checkbox"/>	<input type="checkbox"/> <input type="checkbox"/>	<input type="checkbox"/> <input type="checkbox"/>	<input type="checkbox"/> <input type="checkbox"/> <input type="checkbox"/> <input type="checkbox"/>	<input type="checkbox"/> <input type="checkbox"/> <input type="checkbox"/> <input type="checkbox"/>	23.0#

A B C D E F G H

HOW TO ORDER

Indicate the following information on order form:

1. Quantity of each item.
2. Model number, including options. See "How To Build a Model Number".
3. Any special service required.

Note:

- The indicates that a choice is required.
- The absence of the indicates that no choice is required.
- Alpha-numeric characters in place of indicate that no other alternatives are available.

HOW TO BUILD A MODEL NUMBER

- A** Select basic model.
- B** Select fire code.
FR - Compliance to TB 133
NFR - Compliance to TB 117-2013

See Upholstery Information for TB133 upcharge.

- C** Select solid poly color. Refer to color addendum at ki.com or KI Fabrics & Finishes binder.
- D** Select outside poly color. Refer to color addendum at ki.com or KI Fabrics & Finishes binder.
- E** Select inside poly color. Refer to color addendum at ki.com or KI Fabrics & Finishes binder.
- F** Select frame color. Refer to color addendum at ki.com or KI

Fabrics & Finishes binder.

- G** Select glide option.
GPL - Plastic glides
GSL - Steel glides
- H** Select upholstery grade/color. Refer to color addendum at ki.com or KI Fabrics & Finishes binder.



Delivered Pricing Unupholstered	Delivered Pricing Fabric Grade 1 & C.O.M.	Delivered Pricing Fabric Grade 2	Delivered Pricing Fabric Grade 3	Delivered Pricing C.O.V.	Delivered Pricing Vinyl Group 2V	Delivered Pricing Pallas Fabric Group P0	Delivered Pricing Pallas Fabric Group P1	Delivered Pricing Pallas Fabric Group P2	Delivered Pricing Pallas Fabric Group P3	Delivered Pricing Pallas Fabric Group P4	
\$ 314	N/A	420	428	443	420	443	451	487	501	519	545
	N/A	445	453	468	445	468	476	512	526	544	570
364	N/A	470	478	493	470	493	501	537	551	569	595

UPHOLSTERY INFORMATION

C.O.M. Upholstery

C.O.M. requirement for 10 chairs or less with upholstered seat or upholstered seat and back is 3/4 yard per chair of 54" wide nondirectional fabric. For orders of 11 or more with upholstered seat and back and for complete information on ordering C.O.M. see "Ordering C.O.M., C.O.V. and C.O.L." section.

California TB133 Fire Safety Code

For California Technical Bulletin 133 compliant models, add the following upcharge:
 Model=Solid Color, Polypropylene
 Added List Price=\$10
 Model=Solid Color, Upholstered Seat
 Added List Price=\$63
 Model=Solid Color, Upholstered Seat/Back
 Added List Price=\$90

SPECIAL SERVICES

Special Carton Marking

With specially marked information N/C


Shipping

Shipped **assembled freight prepaid f.o.b. Green Bay, Wisconsin 54302** factory. Freight class #125.

Specifications and prices are subject to change without prior notice.

Doni®

Stack Chairs

	Features	MODEL NUMBER								Approx. Packaged Weight
		Basic Model	Fire Code	Poly Solid Color	Poly Outside Color	Poly Inside Color	Frame Color	Caster Type	Upholstery Color	
	Solid Color, Polypropylene	DN2111	<input type="checkbox"/> <input type="checkbox"/> <input type="checkbox"/>	<input type="checkbox"/> <input type="checkbox"/> <input type="checkbox"/>			<input type="checkbox"/> <input type="checkbox"/>	<input type="checkbox"/> <input type="checkbox"/> <input type="checkbox"/>		21.0#
	Solid Color, Upholstered Seat	DN2211	<input type="checkbox"/> <input type="checkbox"/> <input type="checkbox"/>	<input type="checkbox"/> <input type="checkbox"/> <input type="checkbox"/>			<input type="checkbox"/> <input type="checkbox"/>	<input type="checkbox"/> <input type="checkbox"/> <input type="checkbox"/> <input type="checkbox"/> <input type="checkbox"/> <input type="checkbox"/>		23.5#
	Solid Color, Upholstered Seat/Back	DN2311	<input type="checkbox"/> <input type="checkbox"/> <input type="checkbox"/>	<input type="checkbox"/> <input type="checkbox"/> <input type="checkbox"/>			<input type="checkbox"/> <input type="checkbox"/>	<input type="checkbox"/> <input type="checkbox"/> <input type="checkbox"/> <input type="checkbox"/> <input type="checkbox"/> <input type="checkbox"/>		25.0#
	Two-Tone, Polypropylene	DN2A11	NFR		<input type="checkbox"/> <input type="checkbox"/> <input type="checkbox"/>	<input type="checkbox"/> <input type="checkbox"/> <input type="checkbox"/>	<input type="checkbox"/> <input type="checkbox"/>	<input type="checkbox"/> <input type="checkbox"/> <input type="checkbox"/>		21.0#
	Two-Tone, Upholstered Seat	DN2B11	NFR		<input type="checkbox"/> <input type="checkbox"/> <input type="checkbox"/>	<input type="checkbox"/> <input type="checkbox"/> <input type="checkbox"/>	<input type="checkbox"/> <input type="checkbox"/>	<input type="checkbox"/> <input type="checkbox"/> <input type="checkbox"/>	<input type="checkbox"/> <input type="checkbox"/> <input type="checkbox"/> <input type="checkbox"/> <input type="checkbox"/> <input type="checkbox"/>	23.5#
		A	B	C	D	E	F	G	H	

DN21
DN22
DN23
DN2A
DN2B

- Four-Leg Armchair with Casters**
- Solid or two-tone colored shell
 - Unlimited custom color matching
 - 17 degrees of hip articulation
 - Task and guest chair models available
 - 300 pound approved
 - Stacking. Caution should be exercised to prevent casters from marring components such as frames, fabric, etc., and to prevent casters from becoming "hung up" underneath the seat of the chair

HOW TO ORDER

- Indicate the following information on order form:
- Quantity of each item.
 - Model number, including options. See "How To Build a Model Number".
 - Any special service required.

Note: • The indicates that a choice is required.
• The absence of the indicates that no choice is required.
• Alpha-numeric characters in place of indicate that no other alternatives are available.

HOW TO BUILD A MODEL NUMBER

- A** Select basic model.
- B** Select fire code.
 FR - Compliance to TB 133
 NFR - Compliance to TB 117-2013
 See Upholstery Information for TB133 upcharge.
- C** Select solid poly color.
Refer to color addendum at ki.com or KI Fabrics & Finishes binder.
- D** Select outside poly color.
Refer to color addendum at ki.com or KI Fabrics & Finishes binder.
- E** Select inside poly color.
Refer to color addendum at ki.com or KI Fabrics & Finishes binder.
- F** Select frame color.
Refer to color addendum at ki.com or KI

- Fabrics & Finishes binder.
- G** Select casters.
 CHC - Hard floor casters
 CCC - Carpet casters
 - H** Select upholstery grade/color.
Refer to color addendum at ki.com or KI Fabrics & Finishes binder.



Delivered Pricing Unupholstered	Delivered Pricing Fabric Grade 1 & C.O.M.	Delivered Pricing Fabric Grade 2	Delivered Pricing Fabric Grade 3	Delivered Pricing C.O.V.	Delivered Pricing Vinyl Group 2V	Delivered Pricing Pallas Fabric Group P0	Delivered Pricing Pallas Fabric Group P1	Delivered Pricing Pallas Fabric Group P2	Delivered Pricing Pallas Fabric Group P3	Delivered Pricing Pallas Fabric Group P4	
\$ 349	N/A	455	463	478	455	478	486	522	536	554	580
	N/A	480	488	503	480	503	511	547	561	579	605
399	N/A	505	513	528	505	528	536	572	586	604	630

UPHOLSTERY INFORMATION

C.O.M. Upholstery

C.O.M. requirement for 10 chairs or less with upholstered seat or upholstered seat and back is 3/4 yard per chair of 54" wide nondirectional fabric. For orders of 11 or more with upholstered seat and back and for complete information on ordering C.O.M. see "Ordering C.O.M., C.O.V. and C.O.L." section.

California TB133 Fire Safety Code

For California Technical Bulletin 133 compliant models, add the following upcharge:
 Model=Solid Color, Polypropylene
 Added List Price=\$10
 Model=Solid Color, Upholstered Seat
 Added List Price=\$63
 Model=Solid Color, Upholstered Seat/Back
 Added List Price=\$90

SPECIAL SERVICES

Special Carton Marking

With specially marked information N/C

Shipping

Shipped **assembled freight prepaid f.o.b. Green Bay, Wisconsin 54302** factory. Freight class #125.

Specifications and prices are subject to change without prior notice.

Doni® Stack Chairs



- DNH1
- DNH2
- DNH3
- DNHA
- DNHB
- Four-Leg Armless Ganging Chair**

- Solid or two-tone colored shell
- Unlimited custom color matching
- 17 degrees of hip articulation
- Task and guest chair models available
- 300 pound approved
- Stacking

Features	MODEL NUMBER								Approx. Packaged Weight
	Basic Model	Fire Code	Poly Solid Color	Poly Outside Color	Poly Inside Color	Frame Color	Glide Option	Upholstery Color	
Solid Color, Polypropylene	DNH100	<input type="checkbox"/> <input type="checkbox"/>	<input type="checkbox"/> <input type="checkbox"/>			<input type="checkbox"/>	<input type="checkbox"/> <input type="checkbox"/>		19.0#
Solid Color, Upholstered Seat	DNH200	<input type="checkbox"/> <input type="checkbox"/>	<input type="checkbox"/> <input type="checkbox"/>			<input type="checkbox"/>	<input type="checkbox"/> <input type="checkbox"/>	<input type="checkbox"/> <input type="checkbox"/> <input type="checkbox"/> <input type="checkbox"/>	21.5#
Solid Color, Upholstered Seat/Back	DNH300	<input type="checkbox"/> <input type="checkbox"/>	<input type="checkbox"/> <input type="checkbox"/>			<input type="checkbox"/>	<input type="checkbox"/> <input type="checkbox"/>	<input type="checkbox"/> <input type="checkbox"/> <input type="checkbox"/> <input type="checkbox"/>	23.0#
Two-Tone, Polypropylene	DNHA00	NFR		<input type="checkbox"/> <input type="checkbox"/>	<input type="checkbox"/> <input type="checkbox"/>	<input type="checkbox"/>	<input type="checkbox"/> <input type="checkbox"/>		19.0#
Two-Tone, Upholstered Seat	DNHB00	NFR		<input type="checkbox"/> <input type="checkbox"/>	<input type="checkbox"/> <input type="checkbox"/>	<input type="checkbox"/>	<input type="checkbox"/> <input type="checkbox"/>	<input type="checkbox"/> <input type="checkbox"/> <input type="checkbox"/> <input type="checkbox"/>	21.5#

A B C D E F G H

HOW TO ORDER

- Indicate the following information on order form:
- Quantity of each item.
 - Model number, including options. See "How To Build a Model Number".
 - Any special service required.

Note: • The indicates that a choice is required.
 • The absence of the indicates that no choice is required.
 • Alpha-numeric characters in place of indicate that no other alternatives are available.

HOW TO BUILD A MODEL NUMBER

- A** Select basic model.
- B** Select fire code.
NFR - Compliance to TB 117-2013
FR - Compliance to TB 133
 See Upholstery Information for TB133 upcharge.
- C** Select solid poly color.
 Refer to color addendum at ki.com or KI Fabrics & Finishes binder.
- D** Select outside poly color.
 Refer to color addendum at ki.com or KI Fabrics & Finishes binder.
- E** Select inside poly color.
 Refer to color addendum at ki.com or KI Fabrics & Finishes binder.
- F** Select frame color.
 Refer to color addendum at ki.com or KI

Fabrics & Finishes binder.

- G** Select glide option.
GPL - Plastic glides
GSL - Steel glides
- H** Select upholstery grade/color.
 Refer to color addendum at ki.com or KI Fabrics & Finishes binder.



Delivered Pricing Unupholstered	Delivered Pricing Fabric Grade 1 & C.O.M.	Delivered Pricing Fabric Grade 2	Delivered Pricing Fabric Grade 3	Delivered Pricing C.O.V.	Delivered Pricing Vinyl Group 2V	Delivered Pricing Pallas Fabric Group P0	Delivered Pricing Pallas Fabric Group P1	Delivered Pricing Pallas Fabric Group P2	Delivered Pricing Pallas Fabric Group P3	Delivered Pricing Pallas Fabric Group P4	
\$ 310	N/A	416	424	439	416	439	447	483	497	515	541
	N/A	441	449	464	441	464	472	508	522	540	566
360	N/A	466	474	489	466	489	497	533	547	565	591

UPHOLSTERY INFORMATION

C.O.M. Upholstery

C.O.M. requirement for 10 chairs or less with upholstered seat or upholstered seat and back is 3/4 yard per chair of 54" wide nondirectional fabric. For orders of 11 or more with upholstered seat and back and for complete information on ordering C.O.M. see "Ordering C.O.M., C.O.V. and C.O.L." section.

California TB133 Fire Safety Code

For California Technical Bulletin 133 compliant models, add the following upcharge:
 Model=Solid Color, Polypropylene
 Added List Price=\$10
 Model=Solid Color, Upholstered Seat
 Added List Price=\$63
 Model=Solid Color, Upholstered Seat/Back
 Added List Price=\$90

SPECIAL SERVICES

Special Carton Marking

With specially marked information N/C

Shipping

Shipped **assembled freight prepaid f.o.b. Green Bay, Wisconsin 54302** factory. Freight class #125.

Specifications and prices are subject to change without prior notice.

Doni®
Stack Chairs



- DNC1
- DNC2
- DNC3
- DNCA
- DNCB
- Four-Leg Armless Wallsaver Chair**
- Solid or two-tone colored shell
- Unlimited custom color matching
- Task and guest chair models available
- 300 pound approved
- Stacking

Features	MODEL NUMBER								Approx. Packaged Weight
	Basic Model	Fire Code	Poly Solid Color	Poly Outside Color	Poly Inside Color	Frame Color	Glide Option	Upholstery Color	
Solid Color, Polypropylene	DNC100	□□□	□□□			□□	□□□		19.0#
Solid Color, Upholstered Seat	DNC200	□□□	□□□			□□	□□□	□□□□□	21.5#
Solid Color, Upholstered Seat/Back	DNC300	□□□	□□□			□□	□□□	□□□□□	23.0#
Two-Tone, Polypropylene	DNCA00	NFR		□□□	□□□	□□	□□□		19.0#
Two-Tone, Upholstered Seat	DNCB00	NFR		□□□	□□□	□□	□□□	□□□□□	21.5#

A B C D E F G H

HOW TO ORDER

Indicate the following information on order form:

1. Quantity of each item.
2. Model number, including options. See "How To Build a Model Number".
3. Any special service required.

Note:

- The □ indicates that a choice is required.
- The absence of the □ indicates that no choice is required.
- Alpha-numeric characters in place of □ indicate that no other alternatives are available.

HOW TO BUILD A MODEL NUMBER

- A** Select basic model.
- B** Select fire code.
 - FR** - Compliance to TB 133
 - NFR** - Compliance to TB 117-2013

See Upholstery Information for TB133 upcharge.
- C** Select solid poly color. Refer to color addendum at ki.com or KI Fabrics & Finishes binder.
- D** Select outside poly color. Refer to color addendum at ki.com or KI Fabrics & Finishes binder.
- E** Select inside poly color. Refer to color addendum at ki.com or KI Fabrics & Finishes binder.
- F** Select frame color. Refer to color addendum at ki.com or KI

Fabrics & Finishes binder.

- G** Select glide option.
 - GPL** - Plastic glides
 - GSL** - Steel glides
- H** Select upholstery grade/color. Refer to color addendum at ki.com or KI Fabrics & Finishes binder.



Delivered Pricing Unupholstered	Delivered Pricing Fabric Grade 1 & C.O.M.	Delivered Pricing Fabric Grade 2	Delivered Pricing Fabric Grade 3	Delivered Pricing C.O.V.	Delivered Pricing Vinyl Group 2V	Delivered Pricing Pallas Fabric Group P0	Delivered Pricing Pallas Fabric Group P1	Delivered Pricing Pallas Fabric Group P2	Delivered Pricing Pallas Fabric Group P3	Delivered Pricing Pallas Fabric Group P4	
\$ 300	N/A	406	414	429	406	429	437	473	487	505	531
	N/A	431	439	454	431	454	462	498	512	530	556
350	N/A	456	464	479	456	479	487	523	537	555	581

UPHOLSTERY INFORMATION

C.O.M. Upholstery

C.O.M. requirement for 10 chairs or less with upholstered seat or upholstered seat and back is 3/4 yard per chair of 54" wide nondirectional fabric. For orders of 11 or more with upholstered seat and back and for complete information on ordering C.O.M. see "Ordering C.O.M., C.O.V. and C.O.L." section.

California TB133 Fire Safety Code

For California Technical Bulletin 133 compliant models, add the following upcharge:
 Model=Solid Color, Polypropylene
 Added List Price=\$10
 Model=Solid Color, Upholstered Seat
 Added List Price=\$63
 Model=Solid Color, Upholstered Seat/Back
 Added List Price=\$90

SPECIAL SERVICES

Special Carton Marking

With specially marked information N/C

Shipping

Shipped **assembled freight prepaid f.o.b. Green Bay, Wisconsin 54302** factory. Freight class #125.

Specifications and prices are subject to change without prior notice.

Doni®

Stack Chairs



DNC1
DNC2
DNC3
DNCA
DNCB
Four-Leg Wallsaver Armchair

- Solid or two-tone colored shell
- Unlimited custom color matching
- Task and guest chair models available
- 300 pound approved
- Stacking

Features	MODEL NUMBER								Approx. Packaged Weight
	Basic Model	Fire Code	Poly Solid Color	Poly Outside Color	Poly Inside Color	Frame Color	Glide Option	Upholstery Color	
Solid Color, Polypropylene	DNC111	<input type="checkbox"/> <input type="checkbox"/> <input type="checkbox"/>	<input type="checkbox"/> <input type="checkbox"/> <input type="checkbox"/>			<input type="checkbox"/> <input type="checkbox"/>	<input type="checkbox"/> <input type="checkbox"/> <input type="checkbox"/>		20.5#
Solid Color, Upholstered Seat	DNC211	<input type="checkbox"/> <input type="checkbox"/> <input type="checkbox"/>	<input type="checkbox"/> <input type="checkbox"/> <input type="checkbox"/>			<input type="checkbox"/> <input type="checkbox"/>	<input type="checkbox"/> <input type="checkbox"/> <input type="checkbox"/>	<input type="checkbox"/> <input type="checkbox"/> <input type="checkbox"/> <input type="checkbox"/>	23.0#
Solid Color, Upholstered Seat/Back	DNC311	<input type="checkbox"/> <input type="checkbox"/> <input type="checkbox"/>	<input type="checkbox"/> <input type="checkbox"/> <input type="checkbox"/>			<input type="checkbox"/> <input type="checkbox"/>	<input type="checkbox"/> <input type="checkbox"/> <input type="checkbox"/>	<input type="checkbox"/> <input type="checkbox"/> <input type="checkbox"/> <input type="checkbox"/>	24.5#
Two-Tone, Polypropylene	DNCA11	NFR		<input type="checkbox"/> <input type="checkbox"/> <input type="checkbox"/>	<input type="checkbox"/> <input type="checkbox"/> <input type="checkbox"/>	<input type="checkbox"/> <input type="checkbox"/>	<input type="checkbox"/> <input type="checkbox"/> <input type="checkbox"/>		20.5#
Two-Tone, Upholstered Seat	DNCB11	NFR		<input type="checkbox"/> <input type="checkbox"/> <input type="checkbox"/>	<input type="checkbox"/> <input type="checkbox"/> <input type="checkbox"/>	<input type="checkbox"/> <input type="checkbox"/>	<input type="checkbox"/> <input type="checkbox"/> <input type="checkbox"/>	<input type="checkbox"/> <input type="checkbox"/> <input type="checkbox"/> <input type="checkbox"/>	23.0#

A B C D E F G H

HOW TO ORDER

Indicate the following information on order form:

- Quantity of each item.
- Model number, including options. See “How To Build a Model Number”.
- Any special service required.

Note:

- The indicates that a choice is required.
- The absence of the indicates that no choice is required.
- Alpha-numeric characters in place of indicate that no other alternatives are available.

HOW TO BUILD A MODEL NUMBER

- A** Select basic model.
- B** Select fire code.

NFR	- Compliance to TB 117-2013
FR	- Compliance to TB 133

 See Upholstery Information for TB133 upcharge.
- C** Select solid poly color. Refer to color addendum at ki.com or KI Fabrics & Finishes binder.
- D** Select outside poly color. Refer to color addendum at ki.com or KI Fabrics & Finishes binder.
- E** Select inside poly color. Refer to color addendum at ki.com or KI Fabrics & Finishes binder.
- F** Select frame color. Refer to color addendum at ki.com or KI

Fabrics & Finishes binder.

- G** Select glide option.

GPL	- Plastic glides
GSL	- Steel glides
- H** Select upholstery grade/color. Refer to color addendum at ki.com or KI Fabrics & Finishes binder.



Delivered Pricing Unupholstered	Delivered Pricing Fabric Grade 1 & C.O.M.	Delivered Pricing Fabric Grade 2	Delivered Pricing Fabric Grade 3	Delivered Pricing C.O.V.	Delivered Pricing Vinyl Group 2V	Delivered Pricing Pallas Fabric Group P0	Delivered Pricing Pallas Fabric Group P1	Delivered Pricing Pallas Fabric Group P2	Delivered Pricing Pallas Fabric Group P3	Delivered Pricing Pallas Fabric Group P4
\$ 354										
N/A	460	468	483	460	483	491	527	541	559	585
N/A	485	493	508	485	508	516	552	566	584	610
404										
N/A	510	518	533	510	533	541	577	591	609	635

UPHOLSTERY INFORMATION

C.O.M. Upholstery

C.O.M. requirement for 10 chairs or less with upholstered seat or upholstered seat and back is 3/4 yard per chair of 54" wide nondirectional fabric. For orders of 11 or more with upholstered seat and back and for complete information on ordering C.O.M. see "Ordering C.O.M., C.O.V. and C.O.L." section.

California TB133 Fire Safety Code

For California Technical Bulletin 133 compliant models, add the following upcharge:
 Model=Solid Color, Polypropylene
 Added List Price=\$10
 Model=Solid Color, Upholstered Seat
 Added List Price=\$63
 Model=Solid Color, Upholstered Seat/Back
 Added List Price=\$90

SPECIAL SERVICES

Special Carton Marking

With specially marked information N/C

Shipping

Shipped **assembled freight prepaid f.o.b. Green Bay, Wisconsin 54302** factory. Freight class #125.

Specifications and prices are subject to change without prior notice.

Doni®

Stack Chairs



DN31
DN32
DN33
DN3A
DN3B
Sled Base Armless Chair

- Solid or two-tone colored shell
- Unlimited custom color matching
- 17 degrees of hip articulation
- Task and guest chair models available
- 300 pound approved
- Stacking

Features	MODEL NUMBER								Approx. Packaged Weight
	Basic Model	Fire Code	Poly Solid Color	Poly Outside Color	Poly Inside Color	Frame Color	Glide Option	Upholstery Color	
Solid Color, Polypropylene	DN3100	<input type="checkbox"/> <input type="checkbox"/> <input type="checkbox"/>	<input type="checkbox"/> <input type="checkbox"/> <input type="checkbox"/>			<input type="checkbox"/> <input type="checkbox"/>	<input type="checkbox"/> <input type="checkbox"/> <input type="checkbox"/>		20.0#
Solid Color, Upholstered Seat	DN3200	<input type="checkbox"/> <input type="checkbox"/> <input type="checkbox"/>	<input type="checkbox"/> <input type="checkbox"/> <input type="checkbox"/>			<input type="checkbox"/> <input type="checkbox"/>	<input type="checkbox"/> <input type="checkbox"/> <input type="checkbox"/>	<input type="checkbox"/> <input type="checkbox"/> <input type="checkbox"/> <input type="checkbox"/> <input type="checkbox"/> <input type="checkbox"/>	22.5#
Solid Color, Upholstered Seat/Back	DN3300	<input type="checkbox"/> <input type="checkbox"/> <input type="checkbox"/>	<input type="checkbox"/> <input type="checkbox"/> <input type="checkbox"/>			<input type="checkbox"/> <input type="checkbox"/>	<input type="checkbox"/> <input type="checkbox"/> <input type="checkbox"/>	<input type="checkbox"/> <input type="checkbox"/> <input type="checkbox"/> <input type="checkbox"/> <input type="checkbox"/> <input type="checkbox"/>	24.0#
Two-Tone, Polypropylene	DN3A00	NFR		<input type="checkbox"/> <input type="checkbox"/> <input type="checkbox"/>	<input type="checkbox"/> <input type="checkbox"/> <input type="checkbox"/>	<input type="checkbox"/> <input type="checkbox"/>	<input type="checkbox"/> <input type="checkbox"/> <input type="checkbox"/>		20.0#
Two-Tone, Upholstered Seat	DN3B00	NFR		<input type="checkbox"/> <input type="checkbox"/> <input type="checkbox"/>	<input type="checkbox"/> <input type="checkbox"/> <input type="checkbox"/>	<input type="checkbox"/> <input type="checkbox"/>	<input type="checkbox"/> <input type="checkbox"/> <input type="checkbox"/>	<input type="checkbox"/> <input type="checkbox"/> <input type="checkbox"/> <input type="checkbox"/> <input type="checkbox"/> <input type="checkbox"/>	22.5#

A B C D E F G H

HOW TO ORDER

- Indicate the following information on order form:
1. Quantity of each item.
 2. Model number, including options. See "How To Build a Model Number".
 3. Any special service required.

Note:

- The indicates that a choice is required.
- The absence of the indicates that no choice is required.
- Alpha-numeric characters in place of indicate that no other alternatives are available.

HOW TO BUILD A MODEL NUMBER

- A** Select basic model.
- B** Select fire code.
- FR** - Compliance to TB 133
NFR - Compliance to TB 117-2013

See Upholstery Information for TB133 upcharge.

- C** Select solid poly color. Refer to color addendum at ki.com or KI Fabrics & Finishes binder.
- D** Select outside poly color. Refer to color addendum at ki.com or KI Fabrics & Finishes binder.
- E** Select inside poly color. Refer to color addendum at ki.com or KI Fabrics & Finishes binder.
- F** Select frame color. Refer to color addendum at ki.com or KI

Fabrics & Finishes binder.

- G** Select glide option.
- GNG** - No glides
GNS - Non-skid glides
GPL - Plastic glides
GSL - Steel glides
- H** Select upholstery grade/color. Refer to color addendum at ki.com or KI Fabrics & Finishes binder.



Delivered Pricing Unupholstered	Delivered Pricing Fabric Grade 1 & C.O.M.	Delivered Pricing Fabric Grade 2	Delivered Pricing Fabric Grade 3	Delivered Pricing C.O.V.	Delivered Pricing Vinyl Group 2V	Delivered Pricing Pallas Fabric Group P0	Delivered Pricing Pallas Fabric Group P1	Delivered Pricing Pallas Fabric Group P2	Delivered Pricing Pallas Fabric Group P3	Delivered Pricing Pallas Fabric Group P4
\$ 270	N/A	376	384	399	376	399	407	443	457	501
	N/A	401	409	424	401	424	432	468	482	526
320	N/A	426	434	449	426	449	457	493	507	551

UPHOLSTERY INFORMATION

C.O.M. Upholstery

C.O.M. requirement for 10 chairs or less with upholstered seat or upholstered seat and back is 3/4 yard per chair of 54" wide nondirectional fabric. For orders of 11 or more with upholstered seat and back and for complete information on ordering C.O.M. see "Ordering C.O.M., C.O.V. and C.O.L." section.

California TB133 Fire Safety Code

For California Technical Bulletin 133 compliant models, add the following upcharge:
 Model=Solid Color, Polypropylene
 Added List Price=\$10
 Model=Solid Color, Upholstered Seat
 Added List Price=\$63
 Model=Solid Color, Upholstered Seat/Back
 Added List Price=\$90

SPECIAL SERVICES

Special Carton Marking

With specially marked information N/C

Shipping

Shipped **assembled freight prepaid f.o.b. Green Bay, Wisconsin 54302** factory. Freight class #125.

Specifications and prices are subject to change without prior notice.

Doni®

Stack Chairs



DN31
DN32
DN33
DN3A
DN3B
Sled Base Armchair

- Solid or two-tone colored shell
- Unlimited custom color matching
- 17 degrees of hip articulation
- Task and guest chair models available
- 300 pound approved
- Stacking

Features	MODEL NUMBER								Approx. Packaged Weight
	Basic Model	Fire Code	Poly Solid Color	Poly Outside Color	Poly Inside Color	Frame Color	Glide Option	Upholstery Color	
Solid Color, Polypropylene	DN3111	<input type="checkbox"/> <input type="checkbox"/> <input type="checkbox"/>	<input type="checkbox"/> <input type="checkbox"/> <input type="checkbox"/>			<input type="checkbox"/> <input type="checkbox"/>	<input type="checkbox"/> <input type="checkbox"/> <input type="checkbox"/>		21.5#
Solid Color, Upholstered Seat	DN3211	<input type="checkbox"/> <input type="checkbox"/> <input type="checkbox"/>	<input type="checkbox"/> <input type="checkbox"/> <input type="checkbox"/>			<input type="checkbox"/> <input type="checkbox"/>	<input type="checkbox"/> <input type="checkbox"/> <input type="checkbox"/>	<input type="checkbox"/> <input type="checkbox"/> <input type="checkbox"/> <input type="checkbox"/> <input type="checkbox"/>	24.0#
Solid Color, Upholstered Seat/Back	DN3311	<input type="checkbox"/> <input type="checkbox"/> <input type="checkbox"/>	<input type="checkbox"/> <input type="checkbox"/> <input type="checkbox"/>			<input type="checkbox"/> <input type="checkbox"/>	<input type="checkbox"/> <input type="checkbox"/> <input type="checkbox"/>	<input type="checkbox"/> <input type="checkbox"/> <input type="checkbox"/> <input type="checkbox"/> <input type="checkbox"/>	25.5#
Two-Tone, Polypropylene	DN3A11	NFR		<input type="checkbox"/> <input type="checkbox"/> <input type="checkbox"/>	<input type="checkbox"/> <input type="checkbox"/> <input type="checkbox"/>	<input type="checkbox"/> <input type="checkbox"/>	<input type="checkbox"/> <input type="checkbox"/> <input type="checkbox"/>		21.5#
Two-Tone, Upholstered Seat	DN3B11	NFR		<input type="checkbox"/> <input type="checkbox"/> <input type="checkbox"/>	<input type="checkbox"/> <input type="checkbox"/> <input type="checkbox"/>	<input type="checkbox"/> <input type="checkbox"/>	<input type="checkbox"/> <input type="checkbox"/> <input type="checkbox"/>	<input type="checkbox"/> <input type="checkbox"/> <input type="checkbox"/> <input type="checkbox"/> <input type="checkbox"/>	24.0#

A **B** **C** **D** **E** **F** **G** **H**

HOW TO ORDER

Indicate the following information on order form:

1. Quantity of each item.
2. Model number, including options. See "How To Build a Model Number".
3. Any special service required.

Note: • The indicates that a choice is required.
• The absence of the indicates that no choice is required.
• Alpha-numeric characters in place of indicate that no other alternatives are available.

HOW TO BUILD A MODEL NUMBER

- A** Select basic model.
- B** Select fire code.
FR - Compliance to TB 133
NFR - Compliance to TB 117-2013

See Upholstery Information for TB133 upcharge.

- C** Select solid poly color.
Refer to color addendum at ki.com or KI Fabrics & Finishes binder.
- D** Select outside poly color.
Refer to color addendum at ki.com or KI Fabrics & Finishes binder.
- E** Select inside poly color.
Refer to color addendum at ki.com or KI Fabrics & Finishes binder.
- F** Select frame color.
Refer to color addendum at ki.com or KI

Fabrics & Finishes binder.

- G** Select glide option.
GNG - No glides
GNS - Non-skid glides
GPL - Plastic glides
GSL - Steel glides
- H** Select upholstery grade/color.
Refer to color addendum at ki.com or KI Fabrics & Finishes binder.



Delivered Pricing Unupholstered	Delivered Pricing Fabric Grade 1 & C.O.M.	Delivered Pricing Fabric Grade 2	Delivered Pricing Fabric Grade 3	Delivered Pricing C.O.V.	Delivered Pricing Vinyl Group 2V	Delivered Pricing Pallas Fabric Group P0	Delivered Pricing Pallas Fabric Group P1	Delivered Pricing Pallas Fabric Group P2	Delivered Pricing Pallas Fabric Group P3	Delivered Pricing Pallas Fabric Group P4	
\$ 324	N/A	430	438	453	430	453	461	497	511	529	555
	N/A	455	463	478	455	478	486	522	536	554	580
374											
	N/A	480	488	503	480	503	511	547	561	579	605

UPHOLSTERY INFORMATION

C.O.M. Upholstery

C.O.M. requirement for 10 chairs or less with upholstered seat or upholstered seat and back is 3/4 yard per chair of 54" wide nondirectional fabric. For orders of 11 or more with upholstered seat and back and for complete information on ordering C.O.M. see "Ordering C.O.M., C.O.V. and C.O.L." section.

California TB133 Fire Safety Code

For California Technical Bulletin 133 compliant models, add the following upcharge:
 Model=Solid Color, Polypropylene
 Added List Price=\$10
 Model=Solid Color, Upholstered Seat
 Added List Price=\$63
 Model=Solid Color, Upholstered Seat/Back
 Added List Price=\$90

SPECIAL SERVICES

Special Carton Marking

With specially marked information N/C

Shipping

Shipped **assembled freight prepaid f.o.b. Green Bay, Wisconsin 54302** factory. Freight class #125.

Specifications and prices are subject to change without prior notice.

Doni® Stack Chairs



DNJ1
DNJ2
DNJ3
DNJA
DNJB
Sled Base Armless Ganging Chair

- Solid or two-tone colored shell
- Unlimited custom color matching
- 17 degrees of hip articulation
- Task and guest chair models available
- 300 pound approved
- Stacking

Features	MODEL NUMBER								Approx. Packaged Weight
	Basic Model	Fire Code	Poly Solid Color	Poly Outside Color	Poly Inside Color	Frame Color	Glide Option	Upholstery Color	
Solid Color, Polypropylene	DNJ100	<input type="checkbox"/> <input type="checkbox"/> <input type="checkbox"/>	<input type="checkbox"/> <input type="checkbox"/> <input type="checkbox"/>			<input type="checkbox"/> <input type="checkbox"/>	<input type="checkbox"/> <input type="checkbox"/> <input type="checkbox"/>		20.0#
Solid Color, Upholstered Seat	DNJ200	<input type="checkbox"/> <input type="checkbox"/> <input type="checkbox"/>	<input type="checkbox"/> <input type="checkbox"/> <input type="checkbox"/>			<input type="checkbox"/> <input type="checkbox"/>	<input type="checkbox"/> <input type="checkbox"/> <input type="checkbox"/>	<input type="checkbox"/> <input type="checkbox"/> <input type="checkbox"/> <input type="checkbox"/>	22.5#
Solid Color, Upholstered Seat/Back	DNJ300	<input type="checkbox"/> <input type="checkbox"/> <input type="checkbox"/>	<input type="checkbox"/> <input type="checkbox"/> <input type="checkbox"/>			<input type="checkbox"/> <input type="checkbox"/>	<input type="checkbox"/> <input type="checkbox"/> <input type="checkbox"/>	<input type="checkbox"/> <input type="checkbox"/> <input type="checkbox"/> <input type="checkbox"/>	24.0#
Two-Tone, Polypropylene	DNJA00	NFR		<input type="checkbox"/> <input type="checkbox"/> <input type="checkbox"/>	<input type="checkbox"/> <input type="checkbox"/> <input type="checkbox"/>	<input type="checkbox"/> <input type="checkbox"/>	<input type="checkbox"/> <input type="checkbox"/> <input type="checkbox"/>		20.0#
Two-Tone, Upholstered Seat	DNJB00	NFR		<input type="checkbox"/> <input type="checkbox"/> <input type="checkbox"/>	<input type="checkbox"/> <input type="checkbox"/> <input type="checkbox"/>	<input type="checkbox"/> <input type="checkbox"/>	<input type="checkbox"/> <input type="checkbox"/> <input type="checkbox"/>	<input type="checkbox"/> <input type="checkbox"/> <input type="checkbox"/> <input type="checkbox"/>	22.5#
	A	B	C	D	E	F	G	H	

HOW TO ORDER

Indicate the following information on order form:

1. Quantity of each item.
2. Model number, including options. See "How To Build a Model Number".
3. Any special service required.

Note: • The indicates that a choice is required.
 • The absence of the indicates that no choice is required.
 • Alpha-numeric characters in place of indicate that no other alternatives are available.

HOW TO BUILD A MODEL NUMBER

- A** Select basic model.
- B** Select fire code.
 NFR - Compliance to TB 117-2013
 FR - Compliance to TB 133
- See Upholstery Information for TB133 upcharge.
- C** Select solid poly color. Refer to color addendum at ki.com or KI Fabrics & Finishes binder.
- D** Select outside poly color. Refer to color addendum at ki.com or KI Fabrics & Finishes binder.
- E** Select inside poly color. Refer to color addendum at ki.com or KI Fabrics & Finishes binder.
- F** Select frame color. Refer to color addendum at ki.com or KI

Fabrics & Finishes binder.

- G** Select glide option.

GNG	- No glides
GNS	- Non-skid glides
GPL	- Plastic glides
GSL	- Steel glides
- H** Select upholstery grade/color. Refer to color addendum at ki.com or KI Fabrics & Finishes binder.



Delivered Pricing Unupholstered	Delivered Pricing Fabric Grade 1 & C.O.M.	Delivered Pricing Fabric Grade 2	Delivered Pricing Fabric Grade 3	Delivered Pricing C.O.V.	Delivered Pricing Vinyl Group 2V	Delivered Pricing Pallas Fabric Group P0	Delivered Pricing Pallas Fabric Group P1	Delivered Pricing Pallas Fabric Group P2	Delivered Pricing Pallas Fabric Group P3	Delivered Pricing Pallas Fabric Group P4	
\$ 320	N/A	426	434	449	426	449	457	493	507	525	551
	N/A	451	459	474	451	474	482	518	532	550	576
370	N/A	476	484	499	476	499	507	543	557	575	601

UPHOLSTERY INFORMATION

C.O.M. Upholstery

C.O.M. requirement for 10 chairs or less with upholstered seat or upholstered seat and back is 3/4 yard per chair of 54" wide nondirectional fabric. For orders of 11 or more with upholstered seat and back and for complete information on ordering C.O.M. see "Ordering C.O.M., C.O.V. and C.O.L." section.

California TB133 Fire Safety Code

For California Technical Bulletin 133 compliant models, add the following upcharge:
 Model=Solid Color, Polypropylene
 Added List Price=\$10
 Model=Solid Color, Upholstered Seat
 Added List Price=\$63
 Model=Solid Color, Upholstered Seat/Back
 Added List Price=\$90

SPECIAL SERVICES

Special Carton Marking

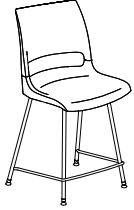
With specially marked information N/C

Shipping

Shipped **assembled freight prepaid f.o.b. Green Bay, Wisconsin 54302** factory. Freight class #125.

Specifications and prices are subject to change without prior notice.

Doni®
Cafe Stools



DN41
DN42
DN43
DN4A
DN4B

Four-Leg Armless Cafe Stool - 24" Height

- Solid or two-tone colored shell
- Unlimited custom color matching
- 17 degrees of hip articulation
- Task, stack and lounge chair models available
- 300 pound approved

Features	MODEL NUMBER								Approx. Packaged Weight
	Basic Model	Fire Code	Poly Solid Color	Poly Outside Color	Poly Inside Color	Frame Color	Glide Option	Upholstery Color	
Solid Color, Polypropylene	DN4100H24	□□□	□□□			□□	□□□		20.5#
Solid Color, Upholstered Seat	DN4200H24	□□□	□□□			□□	□□□	□□□□□	23.0#
Solid Color, Upholstered Seat/Back	DN4300H24	□□□	□□□			□□	□□□	□□□□□	24.5#
Two-Tone, Polypropylene	DN4A00H24	NFR		□□□	□□□	□□	□□□		20.5#
Two-Tone, Upholstered Seat	DN4B00H24	NFR		□□□	□□□	□□	□□□	□□□□□	23.0#

A **B** **C** **D** **E** **F** **G** **H**

HOW TO ORDER

Indicate the following information on order form:

1. Quantity of each item.
2. Model number, including options. See "How To Build a Model Number".
3. Any special service required.

Note: • The indicates that a choice is required.
 • The absence of the indicates that no choice is required.
 • Alpha-numeric characters in place of indicate that no other alternatives are available.

HOW TO BUILD A MODEL NUMBER

- A** Select basic model.
- B** Select fire code.
 NFR - Compliance to TB 117-2013
 FR - Compliance to TB 133
 See Upholstery Information for TB133 upcharge.
- C** Select solid poly color.
 Refer to color addendum at ki.com or KI Fabrics & Finishes binder.
- D** Select outside poly color.
 Refer to color addendum at ki.com or KI Fabrics & Finishes binder.
- E** Select inside poly color.
 Refer to color addendum at ki.com or KI Fabrics & Finishes binder.
- F** Select frame color.
 Refer to color addendum at ki.com or KI Fabrics & Finishes binder.

- G** Select glide option.
 GNL - Neutral color glides
 GSL - Steel glides
- H** Select upholstery grade/color.
 Refer to color addendum at ki.com or KI Fabrics & Finishes binder.

Fabrics & Finishes binder.



Delivered Pricing Unupholstered	Delivered Pricing Fabric Grade 1 & C.O.M.	Delivered Pricing Fabric Grade 2	Delivered Pricing Fabric Grade 3	Delivered Pricing C.O.V.	Delivered Pricing Vinyl Group 2V	Delivered Pricing Pallas Fabric Group P0	Delivered Pricing Pallas Fabric Group P1	Delivered Pricing Pallas Fabric Group P2	Delivered Pricing Pallas Fabric Group P3	Delivered Pricing Pallas Fabric Group P4	
\$ 395	N/A	501	509	524	501	524	532	568	582	600	626
	N/A	526	534	549	526	549	557	593	607	625	651
445											
	N/A	551	559	574	551	574	582	618	632	650	676

UPHOLSTERY INFORMATION

C.O.M. Upholstery

C.O.M. requirement for 10 chairs or less with upholstered seat or upholstered seat and back is 3/4 yard per chair of 54" wide nondirectional fabric. For orders of 11 or more with upholstered seat and back and for complete information on ordering C.O.M. see "Ordering C.O.M., C.O.V. and C.O.L." section.

California TB133 Fire Safety Code

For California Technical Bulletin 133 compliant models, add the following upcharge:
 Model=Solid Color, Polypropylene
 Added List Price=\$10
 Model=Solid Color, Upholstered Seat
 Added List Price=\$63
 Model=Solid Color, Upholstered Seat/Back
 Added List Price=\$90

SPECIAL SERVICES

Special Carton Marking

With specially marked information N/C

Shipping

Shipped **assembled freight prepaid f.o.b. Green Bay, Wisconsin 54302** factory. Freight class #125.

Specifications and prices are subject to change without prior notice.

Doni®
Cafe Stools



DN41
DN42
DN43
DN4A
DN4B

Four-Leg Armless Cafe Stool - 30" Height

- Solid or two-tone colored shell
- Unlimited custom color matching
- 17 degrees of hip articulation
- Task, stack and lounge chair models available
- 300 pound approved

Features	MODEL NUMBER								Approx. Packaged Weight
	Basic Model	Fire Code	Poly Solid Color	Poly Outside Color	Poly Inside Color	Frame Color	Glide Option	Upholstery Color	
Solid Color, Polypropylene	DN4100H30	□□□	□□□			□□	□□□		22.0#
Solid Color, Upholstered Seat	DN4200H30	□□□	□□□			□□	□□□	□□□□□	24.5#
Solid Color, Upholstered Seat/Back	DN4300H30	□□□	□□□			□□	□□□	□□□□□	26.0#
Two-Tone, Polypropylene	DN4A00H30	NFR		□□□	□□□	□□	□□□		22.0#
Two-Tone, Upholstered Seat	DN4B00H30	NFR		□□□	□□□	□□	□□□	□□□□□	24.5#

A **B** **C** **D** **E** **F** **G** **H**

HOW TO ORDER

Indicate the following information on order form:

1. Quantity of each item.
2. Model number, including options. See "How To Build a Model Number".
3. Any special service required.

Note: • The □ indicates that a choice is required.
 • The absence of the □ indicates that no choice is required.
 • Alpha-numeric characters in place of □ indicate that no other alternatives are available.

HOW TO BUILD A MODEL NUMBER

- A** Select basic model.
- B** Select fire code.
FR - Compliance to TB 133
NFR - Compliance to TB 117-2013

See Upholstery Information for TB133 upcharge.

- C** Select solid poly color.
Refer to color addendum at ki.com or KI Fabrics & Finishes binder.
- D** Select outside poly color.
Refer to color addendum at ki.com or KI Fabrics & Finishes binder.
- E** Select inside poly color.
Refer to color addendum at ki.com or KI Fabrics & Finishes binder.
- F** Select frame color.
Refer to color addendum at ki.com or KI

Fabrics & Finishes binder.

- G** Select glide option.
GNL - Neutral color glides
GSL - Steel glides
- H** Select upholstery grade/color.
Refer to color addendum at ki.com or KI Fabrics & Finishes binder.



Delivered Pricing Unupholstered	Delivered Pricing Fabric Grade 1 & C.O.M.	Delivered Pricing Fabric Grade 2	Delivered Pricing Fabric Grade 3	Delivered Pricing C.O.V.	Delivered Pricing Vinyl Group 2V	Delivered Pricing Pallas Fabric Group P0	Delivered Pricing Pallas Fabric Group P1	Delivered Pricing Pallas Fabric Group P2	Delivered Pricing Pallas Fabric Group P3	Delivered Pricing Pallas Fabric Group P4	
\$ 395	N/A	501	509	524	501	524	532	568	582	600	626
	N/A	526	534	549	526	549	557	593	607	625	651
445	N/A	551	559	574	551	574	582	618	632	650	676

UPHOLSTERY INFORMATION

C.O.M. Upholstery

C.O.M. requirement for 10 chairs or less with upholstered seat or upholstered seat and back is 3/4 yard per chair of 54" wide nondirectional fabric. For orders of 11 or more with upholstered seat and back and for complete information on ordering C.O.M. see "Ordering C.O.M., C.O.V. and C.O.L." section.

California TB133 Fire Safety Code

For California Technical Bulletin 133 compliant models, add the following upcharge:
 Model=Solid Color, Polypropylene
 Added List Price=\$10
 Model=Solid Color, Upholstered Seat
 Added List Price=\$63
 Model=Solid Color, Upholstered Seat/Back
 Added List Price=\$90

SPECIAL SERVICES

Special Carton Marking

With specially marked information N/C


Shipping

Shipped **assembled freight prepaid f.o.b. Green Bay, Wisconsin 54302** factory. Freight class #125.

Specifications and prices are subject to change without prior notice.

Doni®

Stack Chairs

	MODEL	MODEL NUMBER	
		Basic Model	Approx. Packaged Weight
	Transport Dolly • Black powder-coat finish	DNCD.BL	43.0#
HRDPT	Ganger Kit	DGK	0.0#
HRDPT			

A

HOW TO ORDER

Indicate the following information on order form:

1. Quantity of each item.
2. Model number, including options. See "How To Build a Model Number".
3. Any special service required.

Note:

- The indicates that a choice is required.
- The absence of the indicates that no choice is required.
- Alpha-numeric characters in place of indicate that no other alternatives are available.

HOW TO BUILD A MODEL NUMBER

A Select basic model.



Delivered
Pricing
\$ 424

\$ 50

SPECIAL SERVICES

Special Carton Marking

With specially marked information N/C

Shipping

Shipped **assembled freight prepaid f.o.b.**
Green Bay, Wisconsin 54302 factory.
Freight class #125.

Specifications and prices are subject to
change without prior notice.

Doni™

Task Chair General Information



Armless Task Chair



Task Armchair



Armless Task Stool



Task Arm Stool

Features

Poly, upholstered seat, or upholstered seat/back

•

•

•

•

General Dimensions

Seat width	19-1/4"	19-1/4"	19-1/4"	19-1/4"
Seat depth	18-3/4"	18-3/4"	18-3/4"	18-3/4"
Seat height (upholstered - add 1")	17-1/2" - 22-1/2"	17-1/2" - 22-1/2"	22-1/2" - 32-3/4"	22-1/2" - 32-3/4"

Overall Dimensions

Width	27-1/2"	27-1/2"	27-1/2"	27-1/2"
Depth	27-1/2"	27-1/2"	27-1/2"	27-1/2"
Height	33-1/4" - 38-1/4"	33-1/4" - 38-1/4"	38-1/4" - 48-1/2"	38-1/4" - 48-1/2"
Arms to floor		26" - 31"		31" - 41-1/4"

SPECIFICATIONS**Seat Shell and Backrest Articulation Mechanism**

The backrest and seat are injection-molded polypropylene. The seat and backrest are joined by a pair of hidden articulation mechanisms, each consisting of a 14-gauge steel housing, twin 7-gauge levers, and steel coil springs. While maintaining a one-piece shell appearance, this mechanism allows the backrest to recline up to 17 degrees of motion.

Optional Upholstered Seat and Back

Urethane foam is attached to an injection-molded polypropylene liner board, then upholstered using a draw-string process. Seat foam is molded nominal 1" thickness, and back foam is nominal 1/2" thickness. The flush-head fasteners that attach the back pad are color-matched to the polypropylene.

Underseat Structure

Support structure is die-drawn, 12-gauge

steel plate. Structure is finished with baked-on, electrostatically-applied, 30-degree gloss epoxy powder-coat paint coordinated with base selection.

Arms

Optional armrests are available. When equipped with arms, a support structure is 7/8" o.d. x 13-gauge tubular steel welded directly to the seat structure plate. The steel support tube is inserted into a socket molded into the armrest and secured with a screw. Armrests are molded from glass-reinforced polypropylene. Structure and armrests are warm grey when warm grey base is selected or black when black or aluminum is selected.

Base

The base is a 26" injection-molded, glass-reinforced nylon 5-blade base. A single paddle under the seat operates the height-adjusting pneumatic cylinder. Standard chair base and cylinder available in black or grey. Standard stool base and cylinder available

in black only. An optional polished die-cast aluminum 5-blade base is also available on both chairs and stools.

Foot Ring

Task stools are equipped with an adjustable-height foot ring made with black die-cast aluminum hub and spokes with an 18" diameter chrome-plated tubular steel ring.

Casters

Casters are 60mm o.d. double-wheel, high-impact thermoplastic and are available with hard or soft wheel surface.

INFORMATION**C.O.M. Testing and Production Requirements**

Not all materials are suitable for upholstering this product. A 1 yd. x 54" sample must be submitted and approved prior to acceptance of an order. If the fabric is directional in pattern or weave, the direction

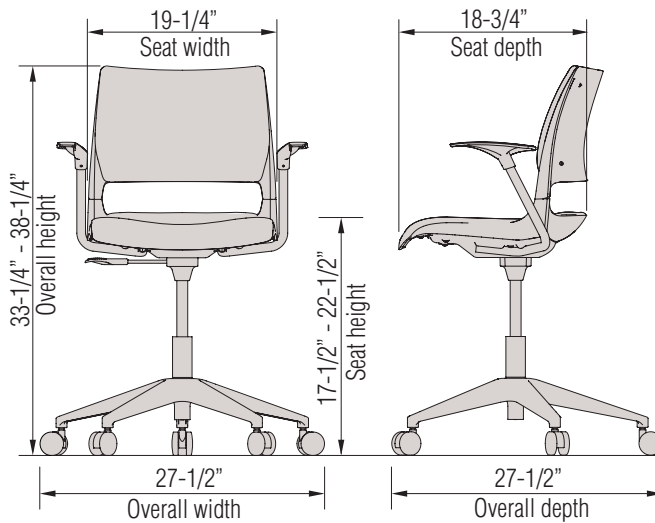
must be indicated on the submitted sample, and additional yardage may be requested.

Test samples must be sent to:

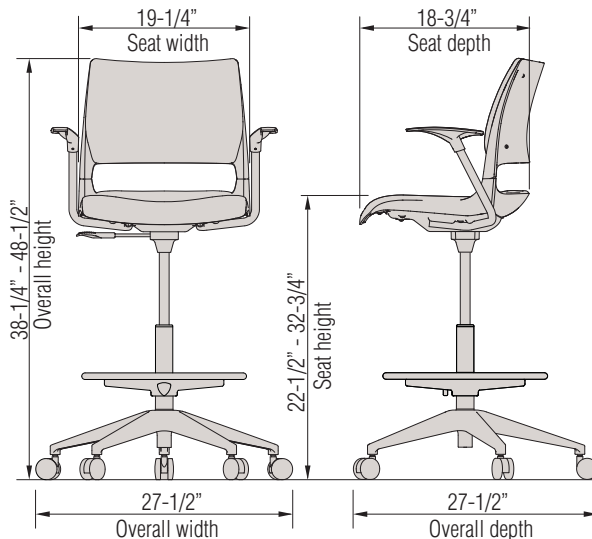
KI
Attn: C.O.M. Specialist
1687 Westminster Drive - Gate 3
Green Bay, WI 54302

Design

Designed by Giancarlo Piretti and manufactured in the USA by Krueger International, Inc. under license from Pro-Cord S.p.A



Doni Task Chair



Doni Task Stool

KI Custom Poly Color Matching Program

Whatever you imagine, whatever you require. KI's custom color-matching program lets you pick your color.

No upcharge with a minimum quantity of 100 or more (\$500 set-up charge if quantity is 99 or less). See "Custom Color Matching Requirements" page in the front of this book for ordering details.

INFORMATION

Warranty

Refer to KI Terms & Conditions document or visit ki.com

Doni™

Task Chairs



DN51
DN52
DN53
DN5A
DN5B

Task Armless Chair

- Solid or two-tone colored shell
- Unlimited custom color matching
- 17 degrees of hip articulation
- Stack and guest chair models available
- 300 pound approved

Features	MODEL NUMBER								Approx. Packaged Weight
	Basic Model	Fire Code	Poly Solid Color	Poly Outside Color	Poly Inside Color	Base Color	Caster Type	Upholstery Color	
Solid Color, Polypropylene	DN5100	<input type="checkbox"/> <input type="checkbox"/> <input type="checkbox"/>	<input type="checkbox"/> <input type="checkbox"/> <input type="checkbox"/>			<input type="checkbox"/> <input type="checkbox"/>	<input type="checkbox"/> <input type="checkbox"/> <input type="checkbox"/>		24.0#
Solid Color, Upholstered Seat	DN5200	<input type="checkbox"/> <input type="checkbox"/> <input type="checkbox"/>	<input type="checkbox"/> <input type="checkbox"/> <input type="checkbox"/>			<input type="checkbox"/> <input type="checkbox"/>	<input type="checkbox"/> <input type="checkbox"/> <input type="checkbox"/>	<input type="checkbox"/> <input type="checkbox"/> <input type="checkbox"/> <input type="checkbox"/> <input type="checkbox"/> <input type="checkbox"/>	26.5#
Solid Color, Upholstered Seat/Back	DN5300	<input type="checkbox"/> <input type="checkbox"/> <input type="checkbox"/>	<input type="checkbox"/> <input type="checkbox"/> <input type="checkbox"/>			<input type="checkbox"/> <input type="checkbox"/>	<input type="checkbox"/> <input type="checkbox"/> <input type="checkbox"/>	<input type="checkbox"/> <input type="checkbox"/> <input type="checkbox"/> <input type="checkbox"/> <input type="checkbox"/> <input type="checkbox"/>	28.0#
Two-Tone, Polypropylene	DN5A00	NFR		<input type="checkbox"/> <input type="checkbox"/> <input type="checkbox"/>	<input type="checkbox"/> <input type="checkbox"/> <input type="checkbox"/>	<input type="checkbox"/> <input type="checkbox"/>	<input type="checkbox"/> <input type="checkbox"/> <input type="checkbox"/>		24.0#
Two-Tone, Upholstered Seat	DN5B00	NFR		<input type="checkbox"/> <input type="checkbox"/> <input type="checkbox"/>	<input type="checkbox"/> <input type="checkbox"/> <input type="checkbox"/>	<input type="checkbox"/> <input type="checkbox"/>	<input type="checkbox"/> <input type="checkbox"/> <input type="checkbox"/>	<input type="checkbox"/> <input type="checkbox"/> <input type="checkbox"/> <input type="checkbox"/> <input type="checkbox"/> <input type="checkbox"/>	26.5#

A **B** **C** **D** **E** **F** **G** **H**

HOW TO ORDER

Indicate the following information on order form:

1. Quantity of each item.
2. Model number, including options. See "How To Build a Model Number".
3. Any special service required.

Note:

- The indicates that a choice is required.
- The absence of the indicates that no choice is required.
- Alpha-numeric characters in place of indicate that no other alternatives are available.

HOW TO BUILD A MODEL NUMBER

A Select basic model.

B Select fire code.

FR - Compliance to TB 133
NFR - Compliance to TB 117-2013

See Upholstery Information for TB133 upcharge.

C Select solid poly color.

Refer to color addendum at ki.com or KI Fabrics & Finishes binder.

D Select outside poly color.

Refer to color addendum at ki.com or KI Fabrics & Finishes binder.

E Select inside poly color.

Refer to color addendum at ki.com or KI Fabrics & Finishes binder.

F Select base color.

Refer to color addendum at ki.com or KI

Fabrics & Finishes binder.

*Add \$82 for polished aluminum base.

G Select caster option.

CHC - Hard floor casters
CCC - Carpet casters

H Select upholstery grade/color.

Refer to color addendum at ki.com or KI Fabrics & Finishes binder.



Delivered Pricing Unupholstered	Delivered Pricing Fabric Grade 1 & C.O.M.	Delivered Pricing Fabric Grade 2	Delivered Pricing Fabric Grade 3	Delivered Pricing C.O.V.	Delivered Pricing Vinyl Group 2V	Delivered Pricing Pallas Fabric Group P0	Delivered Pricing Pallas Fabric Group P1	Delivered Pricing Pallas Fabric Group P2	Delivered Pricing Pallas Fabric Group P3	Delivered Pricing Pallas Fabric Group P4
\$ 400										
N/A	506	514	529	506	529	537	573	587	605	631
N/A	531	539	554	531	554	562	598	612	630	656
450										
N/A	556	564	579	556	579	587	623	637	655	681

UPHOLSTERY INFORMATION

C.O.M. Upholstery

C.O.M. requirement for 10 chairs or less with upholstered seat or upholstered seat and back is 3/4 yard per chair of 54" wide nondirectional fabric. For orders of 11 or more with upholstered seat and back and for complete information on ordering C.O.M. see "Ordering C.O.M., C.O.V. and C.O.L." section.

California TB133 Fire Safety Code

For California Technical Bulletin 133 compliant models, add the following upcharge:
 Model=Solid Color, Polypropylene
 Added List Price=\$10
 Model=Solid Color, Upholstered Seat
 Added List Price=\$63
 Model=Solid Color, Upholstered Seat/Back
 Added List Price=\$90

SPECIAL SERVICES

Special Carton Marking

With specially marked information N/C

Shipping

Shipped **k.d. freight prepaid f.o.b. Green Bay, Wisconsin 54302** factory. Freight class #100.

Specifications and prices are subject to change without prior notice.

Doni™
Task Chairs



DN51
DN52
DN53
DN5A
DN5B

Task Cantilever Armchair

- Solid or two-tone colored shell
- Unlimited custom color matching
- 17 degrees of hip articulation
- Stack and guest chair models available
- 300 pound approved

Features	MODEL NUMBER								Approx. Packaged Weight
	Basic Model	Fire Code	Poly Solid Color	Poly Outside Color	Poly Inside Color	Base Color	Caster Type	Upholstery Color	
Solid Color, Polypropylene	DN5111	□□□	□□□			□□	□□□		26.0#
Solid Color, Upholstered Seat	DN5211	□□□	□□□			□□	□□□	□□□□□	28.5#
Solid Color, Upholstered Seat/Back	DN5311	□□□	□□□			□□	□□□	□□□□□	30.0#
Two-Tone, Polypropylene	DN5A11	NFR		□□□	□□□	□□	□□□		26.0#
Two-Tone, Upholstered Seat	DN5B11	NFR		□□□	□□□	□□	□□□	□□□□□	28.5#

A B C D E F G H

HOW TO ORDER

- Indicate the following information on order form:
1. Quantity of each item.
 2. Model number, including options. See “How To Build a Model Number”.
 3. Any special service required.

Note: • The □ indicates that a choice is required.
• The absence of the □ indicates that no choice is required.
• Alpha-numeric characters in place of □ indicate that no other alternatives are available.

HOW TO BUILD A MODEL NUMBER

- A** Select basic model.
- B** Select fire code.
 - NFR** - Compliance to TB 117-2013
 - FR** - Compliance to TB 133
- See Upholstery Information for TB133 upcharge.
- C** Select solid poly color. Refer to color addendum at ki.com or KI Fabrics & Finishes binder.
- D** Select outside poly color. Refer to color addendum at ki.com or KI Fabrics & Finishes binder.
- E** Select inside poly color. Refer to color addendum at ki.com or KI Fabrics & Finishes binder.
- F** Select base color. Refer to color addendum at ki.com or KI

Fabrics & Finishes binder.
*Add \$82 for polished aluminum base.

- G** Select caster option.
 - CHC** - Hard floor casters
 - CCC** - Carpet casters
- H** Select upholstery grade/color. Refer to color addendum at ki.com or KI Fabrics & Finishes binder.



Delivered Pricing Unupholstered	Delivered Pricing Fabric Grade 1 & C.O.M.	Delivered Pricing Fabric Grade 2	Delivered Pricing Fabric Grade 3	Delivered Pricing C.O.V.	Delivered Pricing Vinyl Group 2V	Delivered Pricing Pallas Fabric Group P0	Delivered Pricing Pallas Fabric Group P1	Delivered Pricing Pallas Fabric Group P2	Delivered Pricing Pallas Fabric Group P3	Delivered Pricing Pallas Fabric Group P4	
\$ 454	N/A	560	568	583	560	583	591	627	641	659	685
504	N/A	585	593	608	585	608	616	652	666	684	710
N/A	610	618	633	610	633	641	677	691	709	735	

UPHOLSTERY INFORMATION

C.O.M. Upholstery

C.O.M. requirement for 10 chairs or less with upholstered seat or upholstered seat and back is 3/4 yard per chair of 54" wide nondirectional fabric. For orders of 11 or more with upholstered seat and back and for complete information on ordering C.O.M. see "Ordering C.O.M., C.O.V. and C.O.L." section.

California TB133 Fire Safety Code

For California Technical Bulletin 133 compliant models, add the following upcharge:
 Model=Solid Color, Polypropylene
 Added List Price=\$10
 Model=Solid Color, Upholstered Seat
 Added List Price=\$63
 Model=Solid Color, Upholstered Seat/Back
 Added List Price=\$90

SPECIAL SERVICES

Special Carton Marking

With specially marked information N/C

Shipping

Shipped **k.d. freight prepaid f.o.b. Green Bay, Wisconsin 54302** factory. Freight class #100.

Specifications and prices are subject to change without prior notice.

Doni™

Task Stools



DN61
DN62
DN63
DN6A
DN6B

Task Armless Stool

- Solid or two-tone colored shell
- Unlimited custom color matching
- 17 degrees of hip articulation
- Stack and guest chair models available
- 300 pound approved

Features	MODEL NUMBER								Approx. Packaged Weight
	Basic Model	Fire Code	Poly Solid Color	Poly Outside Color	Poly Inside Color	Base Color	Caster Type	Upholstery Color	
Solid Color, Polypropylene	DN6100	□□□	□□□			□□	□□□		27.0#
Solid Color, Upholstered Seat	DN6200	□□□	□□□			□□	□□□	□□□□□	29.5#
Solid Color, Upholstered Seat/Back	DN6300	□□□	□□□			□□	□□□	□□□□□	31.0#
Two-Tone, Polypropylene	DN6A00	NFR		□□□	□□□	□□	□□□		27.0#
Two-Tone, Upholstered Seat	DN6B00	NFR		□□□	□□□	□□	□□□	□□□□□	29.5#

A
B
C
D
E
F
G
H

HOW TO ORDER

Indicate the following information on order form:

1. Quantity of each item.
2. Model number, including options. See "How To Build a Model Number".
3. Any special service required.

Note: • The □ indicates that a choice is required.

- The absence of the □ indicates that no choice is required.
- Alpha-numeric characters in place of □ indicate that no other alternatives are available.

HOW TO BUILD A MODEL NUMBER

A Select basic model.

B Select fire code.

NFR - Compliance to TB 117-2013

FR - Compliance to TB 133

See Upholstery Information for TB133 upcharge.

C Select solid poly color.

Refer to color addendum at ki.com or KI Fabrics & Finishes binder.

D Select outside poly color.

Refer to color addendum at ki.com or KI Fabrics & Finishes binder.

E Select inside poly color.

Refer to color addendum at ki.com or KI Fabrics & Finishes binder.

F Select base color.

Refer to color addendum at ki.com or KI

Fabrics & Finishes binder.

*Add \$82 for polished aluminum base.

G Select caster option.

CHC - Hard floor casters

CCC - Carpet casters

H Select upholstery grade/color.

Refer to color addendum at ki.com or KI Fabrics & Finishes binder.



Delivered Pricing Unupholstered	Delivered Pricing Fabric Grade 1 & C.O.M.	Delivered Pricing Fabric Grade 2	Delivered Pricing Fabric Grade 3	Delivered Pricing C.O.V.	Delivered Pricing Vinyl Group 2V	Delivered Pricing Pallas Fabric Group P0	Delivered Pricing Pallas Fabric Group P1	Delivered Pricing Pallas Fabric Group P2	Delivered Pricing Pallas Fabric Group P3	Delivered Pricing Pallas Fabric Group P4	
\$ 485	N/A	591	599	614	591	614	622	658	672	690	716
	N/A	616	624	639	616	639	647	683	697	715	741
535											
	N/A	641	649	664	641	664	672	708	722	740	766

UPHOLSTERY INFORMATION

C.O.M. Upholstery

C.O.M. requirement for 10 chairs or less with upholstered seat or upholstered seat and back is 3/4 yard per chair of 54" wide nondirectional fabric. For orders of 11 or more with upholstered seat and back and for complete information on ordering C.O.M. see "Ordering C.O.M., C.O.V. and C.O.L." section.

California TB133 Fire Safety Code

For California Technical Bulletin 133 compliant models, add the following upcharge:
 Model=Solid Color, Polypropylene
 Added List Price=\$10
 Model=Solid Color, Upholstered Seat
 Added List Price=\$63
 Model=Solid Color, Upholstered Seat/Back
 Added List Price=\$90

SPECIAL SERVICES

Special Carton Marking

With specially marked information N/C

Shipping

Shipped **k.d. freight prepaid f.o.b. Green Bay, Wisconsin 54302** factory. Freight class #100.

Specifications and prices are subject to change without prior notice.

Doni™ Task Stools

Features	MODEL NUMBER								Approx. Packaged Weight
	Basic Model	Fire Code	Poly Solid Color	Poly Outside Color	Poly Inside Color	Base Color	Caster Type	Upholstery Color	
Solid Color, Polypropylene	DN6111	<input type="checkbox"/> <input type="checkbox"/> <input type="checkbox"/>	<input type="checkbox"/> <input type="checkbox"/> <input type="checkbox"/>			<input type="checkbox"/> <input type="checkbox"/>	<input type="checkbox"/> <input type="checkbox"/> <input type="checkbox"/>		29.0#
Solid Color, Upholstered Seat	DN6211	<input type="checkbox"/> <input type="checkbox"/> <input type="checkbox"/>	<input type="checkbox"/> <input type="checkbox"/> <input type="checkbox"/>			<input type="checkbox"/> <input type="checkbox"/>	<input type="checkbox"/> <input type="checkbox"/> <input type="checkbox"/> <input type="checkbox"/> <input type="checkbox"/> <input type="checkbox"/>		31.5#
Solid Color, Upholstered Seat/Back	DN6311	<input type="checkbox"/> <input type="checkbox"/> <input type="checkbox"/>	<input type="checkbox"/> <input type="checkbox"/> <input type="checkbox"/>			<input type="checkbox"/> <input type="checkbox"/>	<input type="checkbox"/> <input type="checkbox"/> <input type="checkbox"/> <input type="checkbox"/> <input type="checkbox"/> <input type="checkbox"/>		33.0#
Two-Tone, Polypropylene	DN6A11	NFR		<input type="checkbox"/> <input type="checkbox"/> <input type="checkbox"/>	<input type="checkbox"/> <input type="checkbox"/> <input type="checkbox"/>	<input type="checkbox"/> <input type="checkbox"/>	<input type="checkbox"/> <input type="checkbox"/> <input type="checkbox"/>		29.0#
Two-Tone, Upholstered Seat	DN6B11	NFR		<input type="checkbox"/> <input type="checkbox"/> <input type="checkbox"/>	<input type="checkbox"/> <input type="checkbox"/> <input type="checkbox"/>	<input type="checkbox"/> <input type="checkbox"/>	<input type="checkbox"/> <input type="checkbox"/> <input type="checkbox"/> <input type="checkbox"/> <input type="checkbox"/> <input type="checkbox"/>		31.5#



- DN61
- DN62
- DN63
- DN6A
- DN6B

- Task Cantilever Arm Stool**
- Solid or two-tone colored shell
 - Unlimited custom color matching
 - 17 degrees of hip articulation
 - Stack and guest chair models available
 - 300 pound approved

HOW TO ORDER

- Indicate the following information on order form:
1. Quantity of each item.
 2. Model number, including options. See "How To Build a Model Number".
 3. Any special service required.

- Note:
- The indicates that a choice is required.
 - The absence of the indicates that no choice is required.
 - Alpha-numeric characters in place of indicate that no other alternatives are available.

HOW TO BUILD A MODEL NUMBER

- A** Select basic model.
- B** Select fire code.

NFR	- Compliance to TB 117-2013
FR	- Compliance to TB 133

See Upholstery Information for TB133 upcharge.
- C** Select solid poly color. Refer to color addendum at ki.com or KI Fabrics & Finishes binder.
- D** Select outside poly color. Refer to color addendum at ki.com or KI Fabrics & Finishes binder.
- E** Select inside poly color. Refer to color addendum at ki.com or KI Fabrics & Finishes binder.
- F** Select base color. Refer to color addendum at ki.com or KI

Fabrics & Finishes binder.
*Add \$82 for polished aluminum base.

- G** Select caster option.

CHC	- Hard floor casters
CCC	- Carpet casters
- H** Select upholstery grade/color. Refer to color addendum at ki.com or KI Fabrics & Finishes binder.



Delivered Pricing Unupholstered	Delivered Pricing Fabric Grade 1 & C.O.M.	Delivered Pricing Fabric Grade 2	Delivered Pricing Fabric Grade 3	Delivered Pricing C.O.V.	Delivered Pricing Vinyl Group 2V	Delivered Pricing Pallas Fabric Group P0	Delivered Pricing Pallas Fabric Group P1	Delivered Pricing Pallas Fabric Group P2	Delivered Pricing Pallas Fabric Group P3	Delivered Pricing Pallas Fabric Group P4	
\$ 539	N/A	645	653	668	645	668	676	712	726	744	770
	N/A	670	678	693	670	693	701	737	751	769	795
589	N/A	695	703	718	695	718	726	762	776	794	820

UPHOLSTERY INFORMATION

C.O.M. Upholstery

C.O.M. requirement for 10 chairs or less with upholstered seat or upholstered seat and back is 3/4 yard per chair of 54" wide nondirectional fabric. For orders of 11 or more with upholstered seat and back and for complete information on ordering C.O.M. see "Ordering C.O.M., C.O.V. and C.O.L." section.

California TB133 Fire Safety Code

For California Technical Bulletin 133 compliant models, add the following upcharge:
 Model=Solid Color, Polypropylene
 Added List Price=\$10
 Model=Solid Color, Upholstered Seat
 Added List Price=\$63
 Model=Solid Color, Upholstered Seat/Back
 Added List Price=\$90

SPECIAL SERVICES

Special Carton Marking

With specially marked information N/C

Shipping

Shipped **k.d. freight prepaid f.o.b. Green Bay, Wisconsin 54302** factory. Freight class #100.

Specifications and prices are subject to change without prior notice.

	1-Place Unit	2-Place Unit	3-Place Unit	4-Place Unit
Features				
Corner tables	•	•	•	•
In-line tables	•	•	•	•
Poly, upholstered seat, or upholstered seat/back	•	•	•	•
General Dimensions				
Seat width	19-1/4"	19-1/4"	19-1/4"	19-1/4"
Seat depth	18-3/4"	18-3/4"	18-3/4"	18-3/4"
Seat height	17"	17"	17"	17"
Unit width	18-3/4"	44-1/2"	66-1/2"	86"
Unit height	33"	33"	33"	33"
Corner table top	30" x 30"	30" x 30"	30" x 30"	30" x 30"
In-line table	20" x 20"	20" x 20"	20" x 20"	20" x 20"
Table height (all table models)	17"	17"	17"	17"

SPECIFICATIONS

Seat Shell and Backrest Articulation Mechanism

The backrest and seat are injection-molded polypropylene. The seat and backrest are joined by a pair of hidden articulation mechanisms, each consisting of a 14-gauge steel housing, twin 7-gauge levers, and steel coil springs. While maintaining a one-piece shell appearance, this mechanism allows the backrest to recline up to 17 degrees of motion.

Optional Upholstered Seat and Back

Urethane foam is attached to an injection-molded polypropylene liner board, then upholstered using a draw-string process. Seat foam is molded nominal 1" thickness, and back foam is nominal 1/2" thickness. The flush-head fasteners that attach the back pad are color-matched to the polypropylene.

Under-seat Structure

Support structure is a die-drawn 12-gauge

steel plate. Structure is finished with baked-on, electrostatically-applied 30 degree gloss epoxy powder-coat paint.

Tandem Base

Cast aluminum alloy leg section. 14-gauge 1"x2" seamless steel column. Upright and base are painted monochromatic with beam and yoke. Columns are welded to a plate which clamps onto beam.

Inline Table

Solid core top is 20"x20"x7/8" with a vinyl bullnose edge.

Corner Table

Solid core top is 30"x30"x7/8" with a vinyl bullnose edge.

KI Custom Poly Color Matching Program

Whatever you imagine, whatever you require. KI's custom color-matching program lets you pick your color.

No upcharge with a minimum quantity of 100 or more (\$500 set-up charge if quantity is 99 or less). See "Custom Color Matching Requirements" page in the front of this book for ordering details.



INFORMATION

Warranty

Refer to KI Terms & Conditions document or visit ki.com

Doni™

Tandem Seating



DND1

MODEL	Features	MODEL NUMBER						Approx. Packaged Weight
		Basic Model	Frame Color	Fire Code	Poly Solid Color	Surface Finish	Edge Color	
Polypropylene - No Arm, SOLID COLOR • Optional in-line tables	1 Seat, 0 In-Line Table	DND10/S1/T0	<input type="checkbox"/>	<input type="checkbox"/>	<input type="checkbox"/>			0.0#
	1 Seat, 1 In-Line Table	DND10/S1/T1	<input type="checkbox"/>	<input type="checkbox"/>	<input type="checkbox"/>	<input type="checkbox"/>	<input type="checkbox"/>	0.0#
	2 Seat, 0 In-Line Table	DND10/S2/T0	<input type="checkbox"/>	<input type="checkbox"/>	<input type="checkbox"/>			0.0#
	2 Seat, 1 In-Line Table	DND10/S2/T1	<input type="checkbox"/>	<input type="checkbox"/>	<input type="checkbox"/>	<input type="checkbox"/>	<input type="checkbox"/>	0.0#
	3 Seat, 0 In-Line Table	DND10/S3/T0	<input type="checkbox"/>	<input type="checkbox"/>	<input type="checkbox"/>			0.0#
	3 Seat, 1 In-Line Table	DND10/S3/T1	<input type="checkbox"/>	<input type="checkbox"/>	<input type="checkbox"/>	<input type="checkbox"/>	<input type="checkbox"/>	0.0#
	4 Seat, 0 In-Line Table	DND10/S4/T0	<input type="checkbox"/>	<input type="checkbox"/>	<input type="checkbox"/>			0.0#
	3 Seat, 2 In-Line Table	DND10/S3/T2	<input type="checkbox"/>	<input type="checkbox"/>	<input type="checkbox"/>	<input type="checkbox"/>	<input type="checkbox"/>	0.0#
	4 Seat, 1 In-Line Table	DND10/S4/T1	<input type="checkbox"/>	<input type="checkbox"/>	<input type="checkbox"/>	<input type="checkbox"/>	<input type="checkbox"/>	0.0#
	5 Seat, 0 In-Line Table	DND10/S5/T0	<input type="checkbox"/>	<input type="checkbox"/>	<input type="checkbox"/>			0.0#
		A	B	C	D	E	F	

HOW TO ORDER

Indicate the following information on order form:

- Quantity of each item.
- Model number, including options. See "How To Build a Model Number".
- Any special service required.

Note: • The indicates that a choice is required.

- The absence of the indicates that no choice is required.
- Alpha-numeric characters in place of indicate that no other alternatives are available.

HOW TO BUILD A MODEL NUMBER

- A** Select basic model.
- B** Select frame color.
Refer to color addendum at ki.com or KI Fabrics & Finishes binder.
- C** Select fire code.
FR - Fire retardant
NFR - No Fire Retardant
See pricing column for TB133 upcharge.
- D** Select solid poly color.
Refer to color addendum at ki.com or KI Fabrics & Finishes binder.
- E** Select surface finish for table.
Refer to color addendum at ki.com or KI Fabrics & Finishes binder.
- F** Select table edge color.
Refer to color addendum at ki.com or KI Fabrics & Finishes binder.



Delivered Pricing	FR add to list price
\$ 568	\$ 10
1254	10
1134	20
1820	20
1701	30
2387	30
2271	40
3073	30
2955	40
2839	50

SPECIAL SERVICES
Special Carton Marking

With specially marked information N/C

Shipping

 Shipped **k.d. freight prepaid f.o.b. Green Bay, Wisconsin 54302** factory. Freight class #70.

Specifications and prices are subject to change without prior notice.

Doni™

Tandem Seating



DNDA

MODEL**Polypropylene - No Arm, TWO-TONE**

- Optional in-line tables
- 1 seat, 0 in-line table models must connect to a corner table
- Corner table is ordered separately

Features

1 Seat, 0 In-Line Table
1 Seat, 1 In-Line Table
2 Seat, 0 In-Line Table
2 Seat, 1 In-Line Table
3 Seat, 0 In-Line Table
3 Seat, 1 In-Line Table
4 Seat, 0 In-Line Table
3 Seat, 2 In-Line Table
4 Seat, 1 In-Line Table
5 Seat, 0 In-Line Table

MODEL NUMBER

Basic Model	Frame Color	Fire Code	Poly Outside Color	Poly Inside Color	Surface Finish	Edge Color
DNDA0S1T0	<input type="checkbox"/>	NFR	<input type="checkbox"/>	<input type="checkbox"/>		
DNDA0S1T1	<input type="checkbox"/>	NFR	<input type="checkbox"/>	<input type="checkbox"/>	<input type="checkbox"/>	<input type="checkbox"/>
DNDA0S2T0	<input type="checkbox"/>	NFR	<input type="checkbox"/>	<input type="checkbox"/>		
DNDA0S2T1	<input type="checkbox"/>	NFR	<input type="checkbox"/>	<input type="checkbox"/>	<input type="checkbox"/>	<input type="checkbox"/>
DNDA0S3T0	<input type="checkbox"/>	NFR	<input type="checkbox"/>	<input type="checkbox"/>		
DNDA0S3T1	<input type="checkbox"/>	NFR	<input type="checkbox"/>	<input type="checkbox"/>	<input type="checkbox"/>	<input type="checkbox"/>
DNDA0S4T0	<input type="checkbox"/>	NFR	<input type="checkbox"/>	<input type="checkbox"/>		
DNDA0S3T2	<input type="checkbox"/>	NFR	<input type="checkbox"/>	<input type="checkbox"/>	<input type="checkbox"/>	<input type="checkbox"/>
DNDA0S4T1	<input type="checkbox"/>	NFR	<input type="checkbox"/>	<input type="checkbox"/>	<input type="checkbox"/>	<input type="checkbox"/>
DNDA0S5T0	<input type="checkbox"/>	NFR	<input type="checkbox"/>	<input type="checkbox"/>		

A**B****C****D****E****F****G****HOW TO ORDER**

Indicate the following information on order form:

1. Quantity of each item.
2. Model number, including options. See "How To Build a Model Number".
3. Any special service required.

Note: • The indicates that a choice is required.

- The absence of the indicates that no choice is required.
- Alpha-numeric characters in place of indicate that no other alternatives are available.

HOW TO BUILD A MODEL NUMBER

- A** Select basic model.
- B** Select frame color.
Refer to color addendum at ki.com or KI Fabrics & Finishes binder.
- C** Select fire code.
NFR - No Fire Retardant
- D** Select outside poly color.
Refer to color addendum at ki.com or KI Fabrics & Finishes binder.
- E** Select inside poly color.
Refer to color addendum at ki.com or KI Fabrics & Finishes binder.
- F** Select surface finish for table.
Refer to color addendum at ki.com or KI Fabrics & Finishes binder.
- G** Select table edge color.

Refer to color addendum at ki.com or KI Fabrics & Finishes binder.



Approx. Packaged Weight	Delivered Pricing
0.0#	\$ 618
0.0#	1304
0.0#	1234
0.0#	1920
0.0#	1851
0.0#	2537
0.0#	2471
0.0#	3223
0.0#	3155
0.0#	3089

SPECIAL SERVICES

Special Carton Marking

With specially marked information N/C

Shipping

Shipped **k.d. freight prepaid f.o.b. Green Bay, Wisconsin 54302** factory. Freight class #70.

Specifications and prices are subject to change without prior notice.

Doni™

Tandem Seating



DND2

MODEL**Upholstered Seat - No Arm, SOLID COLOR**

- Optional in-line tables
- 1 seat, 0 in-line table models must connect to a corner table
- Corner table is ordered separately

Features

1 Seat, 0 In-Line Table
1 Seat, 1 In-Line Table
2 Seat, 0 In-Line Table
2 Seat, 1 In-Line Table
3 Seat, 0 In-Line Table
3 Seat, 1 In-Line Table
4 Seat, 0 In-Line Table
3 Seat, 2 In-Line Table
4 Seat, 1 In-Line Table
5 Seat, 0 In-Line Table

MODEL NUMBER

Basic Model	Frame Color	Fire Code	Poly Solid Color	Surface Finish	Edge Color	Upholstery Color
DND20S1T0	<input type="checkbox"/>	<input type="checkbox"/>	<input type="checkbox"/>			<input type="checkbox"/>
DND20S1T1	<input type="checkbox"/>	<input type="checkbox"/>	<input type="checkbox"/>	<input type="checkbox"/>	<input type="checkbox"/>	<input type="checkbox"/>
DND20S2T0	<input type="checkbox"/>	<input type="checkbox"/>	<input type="checkbox"/>			<input type="checkbox"/>
DND20S2T1	<input type="checkbox"/>	<input type="checkbox"/>	<input type="checkbox"/>	<input type="checkbox"/>	<input type="checkbox"/>	<input type="checkbox"/>
DND20S3T0	<input type="checkbox"/>	<input type="checkbox"/>	<input type="checkbox"/>			<input type="checkbox"/>
DND20S3T1	<input type="checkbox"/>	<input type="checkbox"/>	<input type="checkbox"/>	<input type="checkbox"/>	<input type="checkbox"/>	<input type="checkbox"/>
DND20S4T0	<input type="checkbox"/>	<input type="checkbox"/>	<input type="checkbox"/>			<input type="checkbox"/>
DND20S3T2	<input type="checkbox"/>	<input type="checkbox"/>	<input type="checkbox"/>	<input type="checkbox"/>	<input type="checkbox"/>	<input type="checkbox"/>
DND20S4T1	<input type="checkbox"/>	<input type="checkbox"/>	<input type="checkbox"/>	<input type="checkbox"/>	<input type="checkbox"/>	<input type="checkbox"/>
DND20S5T0	<input type="checkbox"/>	<input type="checkbox"/>	<input type="checkbox"/>			<input type="checkbox"/>

A**B****C****D****E****F****G****HOW TO ORDER**

Indicate the following information on order form:

1. Quantity of each item.
2. Model number, including options. See "How To Build a Model Number".
3. Any special service required.

Note: • The indicates that a choice is required.

- The absence of the indicates that no choice is required.
- Alpha-numeric characters in place of indicate that no other alternatives are available.

HOW TO BUILD A MODEL NUMBER

A Select basic model.

B Select frame color.
Refer to color addendum at ki.com or KI Fabrics & Finishes binder.

C Select fire code.
NFR - Compliance to TB 117-2013
FR - Compliance to TB 133
See pricing column for TB133 upcharge.

D Select solid poly color.
Refer to color addendum at ki.com or KI Fabrics & Finishes binder.

E Select surface finish for table.
Refer to color addendum at ki.com or KI Fabrics & Finishes binder.

F Select table edge color.
Refer to color addendum at ki.com or KI Fabrics & Finishes binder.

G Select upholstery grade/color.
Refer to color addendum at ki.com or KI Fabrics & Finishes binder.



Approx. Packaged Weight	Delivered Pricing Fabric Grade 1 & C.O.M.	Delivered Pricing Fabric Grade 2	Delivered Pricing Fabric Grade 3	Delivered Pricing C.O.V.	Delivered Pricing Vinyl Group 2V	Delivered Pricing Pallas Fabric Group P0	Delivered Pricing Pallas Fabric Group P1	Delivered Pricing Pallas Fabric Group P2	Delivered Pricing Pallas Fabric Group P3	Delivered Pricing Pallas Fabric Group P4	TB133 add to list price
0.0#	\$ 674	\$ 682	\$ 697	\$ 674	\$ 697	\$ 705	\$ 741	\$ 755	\$ 773	\$ 799	\$ 63
0.0#	1360	1368	1383	1360	1383	1391	1427	1441	1459	1485	63
0.0#	1346	1362	1392	1346	1392	1408	1480	1508	1544	1596	126
0.0#	2032	2048	2078	2032	2078	2094	2166	2194	2230	2282	126
0.0#	2019	2043	2088	2019	2088	2112	2220	2262	2316	2394	189
0.0#	2705	2729	2774	2705	2774	2798	2906	2948	3002	3080	189
0.0#	2695	2727	2787	2695	2787	2819	2963	3019	3091	3195	252
0.0#	3391	3415	3460	3391	3460	3484	3592	3634	3688	3766	189
0.0#	3379	3411	3471	3379	3471	3503	3647	3703	3775	3879	252
0.0#	3369	3409	3484	3369	3484	3524	3704	3774	3864	3994	315

SPECIAL SERVICES

Special Carton Marking

With specially marked information N/C

Shipping

Shipped k.d. freight prepaid f.o.b. Green Bay, Wisconsin 54302 factory. Freight class #70.

Specifications and prices are subject to change without prior notice.

Doni™

Tandem Seating



DNDB

Upholstered Seat - No Arm, TWO-TONE

- Optional in-line tables
- 1 seat, 0 in-line table models must connect to a corner table
- Corner table is ordered separately

Features	MODEL NUMBER								Approx. Packaged Weight
	Basic Model	Frame Color	Fire Code	Poly Outside Color	Poly Inside Color	Surface Finish	Edge Color	Upholstery Color	
1 Seat, 0 In-Line Table	DNDB0S1T0	<input type="checkbox"/>	NFR	<input type="checkbox"/>	<input type="checkbox"/>			<input type="checkbox"/>	0.0#
1 Seat, 1 In-Line Table	DNDB0S1T1	<input type="checkbox"/>	NFR	<input type="checkbox"/>	<input type="checkbox"/>	<input type="checkbox"/>	<input type="checkbox"/>	<input type="checkbox"/>	0.0#
2 Seat, 0 In-Line Table	DNDB0S2T0	<input type="checkbox"/>	NFR	<input type="checkbox"/>	<input type="checkbox"/>			<input type="checkbox"/>	0.0#
2 Seat, 1 In-Line Table	DNDB0S2T1	<input type="checkbox"/>	NFR	<input type="checkbox"/>	<input type="checkbox"/>	<input type="checkbox"/>	<input type="checkbox"/>	<input type="checkbox"/>	0.0#
3 Seat, 0 In-Line Table	DNDB0S3T0	<input type="checkbox"/>	NFR	<input type="checkbox"/>	<input type="checkbox"/>			<input type="checkbox"/>	0.0#
3 Seat, 1 In-Line Table	DNDB0S3T1	<input type="checkbox"/>	NFR	<input type="checkbox"/>	<input type="checkbox"/>	<input type="checkbox"/>	<input type="checkbox"/>	<input type="checkbox"/>	0.0#
4 Seat, 0 In-Line Table	DNDB0S4T0	<input type="checkbox"/>	NFR	<input type="checkbox"/>	<input type="checkbox"/>			<input type="checkbox"/>	0.0#
3 Seat, 2 In-Line Table	DNDB0S3T2	<input type="checkbox"/>	NFR	<input type="checkbox"/>	<input type="checkbox"/>	<input type="checkbox"/>	<input type="checkbox"/>	<input type="checkbox"/>	0.0#
4 Seat, 1 In-Line Table	DNDB0S4T1	<input type="checkbox"/>	NFR	<input type="checkbox"/>	<input type="checkbox"/>	<input type="checkbox"/>	<input type="checkbox"/>	<input type="checkbox"/>	0.0#
5 Seat, 0 In-Line Table	DNDB0S5T0	<input type="checkbox"/>	NFR	<input type="checkbox"/>	<input type="checkbox"/>			<input type="checkbox"/>	0.0#

A B C D E F G H

HOW TO ORDER

Indicate the following information on order form:

1. Quantity of each item.
2. Model number, including options. See "How To Build a Model Number".
3. Any special service required.

Note: • The indicates that a choice is required.

- The absence of the indicates that no choice is required.
- Alpha-numeric characters in place of indicate that no other alternatives are available.

HOW TO BUILD A MODEL NUMBER

- A** Select basic model.
- B** Select frame color.
Refer to color addendum at ki.com or KI Fabrics & Finishes binder.
- C** Select fire code.
NFR - Compliance to TB 117-2013
- D** Select outside poly color.
Refer to color addendum at ki.com or KI Fabrics & Finishes binder.
- E** Select inside poly color.
Refer to color addendum at ki.com or KI Fabrics & Finishes binder.
- F** Select surface finish for table.
Refer to color addendum at ki.com or KI Fabrics & Finishes binder.
- G** Select table edge color.

Refer to color addendum at ki.com or KI Fabrics & Finishes binder.

- H** Select upholstery grade/color.
Refer to color addendum at ki.com or KI Fabrics & Finishes binder.



Delivered Pricing Fabric Grade 1 & C.O.M.	Delivered Pricing Fabric Grade 2	Delivered Pricing Fabric Grade 3	Delivered Pricing C.O.V.	Delivered Pricing Vinyl Group 2V	Delivered Pricing Pallas Fabric Group P0	Delivered Pricing Pallas Fabric Group P1	Delivered Pricing Pallas Fabric Group P2	Delivered Pricing Pallas Fabric Group P3	Delivered Pricing Pallas Fabric Group P4
\$ 724	\$ 732	\$ 747	\$ 724	\$ 747	\$ 755	\$ 791	\$ 805	\$ 823	\$ 849
1410	1418	1433	1410	1433	1441	1477	1491	1509	1535
1446	1462	1492	1446	1492	1508	1580	1608	1644	1696
2132	2148	2178	2132	2178	2194	2266	2294	2330	2382
2169	2193	2238	2169	2238	2262	2370	2412	2466	2544
2855	2879	2924	2855	2924	2948	3056	3098	3152	3230
2895	2927	2987	2895	2987	3019	3163	3219	3291	3395
3541	3565	3610	3541	3610	3634	3742	3784	3838	3916
3579	3611	3671	3579	3671	3703	3847	3903	3975	4079
3619	3659	3734	3619	3734	3774	3954	4024	4114	4244

SPECIAL SERVICES

Special Carton Marking

With specially marked information N/C

Shipping

Shipped **k.d. freight prepaid f.o.b. Green Bay, Wisconsin 54302** factory. Freight class #70.

Specifications and prices are subject to change without prior notice.

Doni™

Tandem Seating



DND3

MODEL**Upholstered Seat and Back - No Arm, SOLID COLOR**

- Optional in-line tables

Features

1 Seat, 0 In-Line Table
1 Seat, 1 In-Line Table
2 Seat, 0 In-Line Table
2 Seat, 1 In-Line Table
3 Seat, 0 In-Line Table
3 Seat, 1 In-Line Table
4 Seat, 0 In-Line Table
3 Seat, 2 In-Line Table
4 Seat, 1 In-Line Table
5 Seat, 0 In-Line Table

MODEL NUMBER

Basic Model	Frame Color	Fire Code	Poly Solid Color	Surface Finish	Edge Color	Upholstery Color
DND30S1T0	<input type="checkbox"/>	<input type="checkbox"/>	<input type="checkbox"/>			<input type="checkbox"/>
DND30S1T1	<input type="checkbox"/>	<input type="checkbox"/>	<input type="checkbox"/>	<input type="checkbox"/>	<input type="checkbox"/>	<input type="checkbox"/>
DND30S2T0	<input type="checkbox"/>	<input type="checkbox"/>	<input type="checkbox"/>			<input type="checkbox"/>
DND30S2T1	<input type="checkbox"/>	<input type="checkbox"/>	<input type="checkbox"/>	<input type="checkbox"/>	<input type="checkbox"/>	<input type="checkbox"/>
DND30S3T0	<input type="checkbox"/>	<input type="checkbox"/>	<input type="checkbox"/>			<input type="checkbox"/>
DND30S3T1	<input type="checkbox"/>	<input type="checkbox"/>	<input type="checkbox"/>	<input type="checkbox"/>	<input type="checkbox"/>	<input type="checkbox"/>
DND30S4T0	<input type="checkbox"/>	<input type="checkbox"/>	<input type="checkbox"/>			<input type="checkbox"/>
DND30S3T2	<input type="checkbox"/>	<input type="checkbox"/>	<input type="checkbox"/>	<input type="checkbox"/>	<input type="checkbox"/>	<input type="checkbox"/>
DND30S4T1	<input type="checkbox"/>	<input type="checkbox"/>	<input type="checkbox"/>	<input type="checkbox"/>	<input type="checkbox"/>	<input type="checkbox"/>
DND30S5T0	<input type="checkbox"/>	<input type="checkbox"/>	<input type="checkbox"/>			<input type="checkbox"/>

A**B****C****D****E****F****G****HOW TO ORDER**

Indicate the following information on order form:

- Quantity of each item.
- Model number, including options. See "How To Build a Model Number".
- Any special service required.

Note: • The indicates that a choice is required.

- The absence of the indicates that no choice is required.
- Alpha-numeric characters in place of indicate that no other alternatives are available.

HOW TO BUILD A MODEL NUMBER

- A** Select basic model.

- B** Select frame color.
Refer to color addendum at ki.com or KI Fabrics & Finishes binder.

- C** Select fire code.
NFR - Compliance to TB 117-2013
FR - Compliance to TB 133
See pricing column for TB133 upcharge.

- D** Select solid poly color.
Refer to color addendum at ki.com or KI Fabrics & Finishes binder.

- E** Select surface finish for table.
Refer to color addendum at ki.com or KI Fabrics & Finishes binder.

- F** Select table edge color.
Refer to color addendum at ki.com or KI Fabrics & Finishes binder.

- G** Select upholstery grade/color.
Refer to color addendum at ki.com or KI Fabrics & Finishes binder.



Approx. Packaged Weight	Delivered Pricing Fabric Grade 1 & C.O.M.	Delivered Pricing Fabric Grade 2	Delivered Pricing Fabric Grade 3	Delivered Pricing C.O.V.	Delivered Pricing Vinyl Group 2V	Delivered Pricing Pallas Fabric Group P0	Delivered Pricing Pallas Fabric Group P1	Delivered Pricing Pallas Fabric Group P2	Delivered Pricing Pallas Fabric Group P3	Delivered Pricing Pallas Fabric Group P4	TB133 add to list price
0.0#	\$ 699	\$ 707	\$ 722	\$ 699	\$ 722	\$ 730	\$ 766	\$ 780	\$ 798	\$ 824	\$ 90
0.0#	1385	1393	1408	1385	1408	1416	1452	1466	1484	1510	90
0.0#	1396	1412	1442	1396	1442	1458	1530	1558	1594	1646	180
0.0#	2082	2098	2128	2082	2128	2144	2216	2244	2280	2332	180
0.0#	2094	2118	2163	2094	2163	2187	2295	2337	2391	2469	270
0.0#	2780	2804	2849	2780	2849	2873	2981	3023	3077	3155	270
0.0#	2795	2827	2887	2795	2887	2919	3063	3119	3191	3295	360
0.0#	3466	3490	3535	3466	3535	3559	3667	3709	3763	3841	270
0.0#	3479	3511	3571	3479	3571	3603	3747	3803	3875	3979	360
0.0#	3494	3534	3609	3494	3609	3649	3829	3899	3989	4119	450

SPECIAL SERVICES

Special Carton Marking

With specially marked information N/C


Shipping

Shipped **k.d. freight prepaid f.o.b. Green Bay, Wisconsin 54302** factory. Freight class #70.

Specifications and prices are subject to change without prior notice.

Doni™

Tandem Seating

	MODEL	Features	MODEL NUMBER				Approx. Packaged Weight
			Basic Model	Frame Color	Surface Finish	Edge Color	
 <p>MSCT</p>	Corner Table <ul style="list-style-type: none"> • Number of tables per arrangement • Plastic laminate with vinyl bullnose edge • For mounting modular units at a 90° angle • Two required for U-shaped configuration • One required for L-shaped configuration 	Connects 2 units	TCT	<input type="checkbox"/> <input type="checkbox"/>	<input type="checkbox"/> <input type="checkbox"/> <input type="checkbox"/>	<input type="checkbox"/> <input type="checkbox"/> <input type="checkbox"/>	0.0#
HRDPT	Back Ganging Bar <ul style="list-style-type: none"> • Connects 2 units back-to-back • Powder coated to match base • Sold in pairs 		DOP.GANG	<input type="checkbox"/> <input type="checkbox"/>			8.0#

A **B** **C** **D**

HOW TO ORDER

Indicate the following information on order form:

1. Quantity of each item.
2. Model number, including options. See "How To Build a Model Number".
3. Any special service required.

Note: • The indicates that a choice is required.

- The absence of the indicates that no choice is required.
- Alpha-numeric characters in place of indicate that no other alternatives are available.

HOW TO BUILD A MODEL NUMBER

- A** Select basic model.
- B** Select frame color.
Refer to color addendum at ki.com or KI Fabrics & Finishes binder.
- C** Select surface finish for table.
Refer to color addendum at ki.com or KI Fabrics & Finishes binder.
- D** Select table edge color.
Refer to color addendum at ki.com or KI Fabrics & Finishes binder.



ExWorks
Pricing

\$ 571

\$ 198

SPECIAL SERVICES

Special Carton Marking

With specially marked information N/C

Shipping

Shipped **k.d. freight prepaid f.o.b. Green Bay, Wisconsin 54302** factory. Freight class #70.

Specifications and prices are subject to change without prior notice.



KI
1330 Bellevue Street
P.O. Box 8100
Green Bay, Wisconsin 54308-8100
1-800-424-2432
www.ki.com

KI and Furnishing Knowledge
are registered trademarks
of Krueger International, Inc.

© 2016 Krueger International, Inc.
All Rights Reserved.
Code KI-11621/KI/PDF/0616